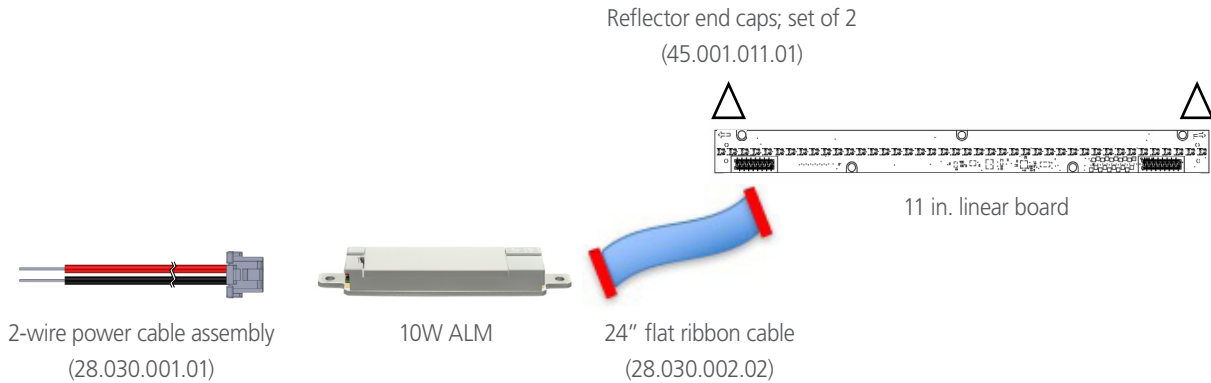


## 22 LINEAR ARRAY CONFIGURATION EXAMPLES

### 22.1 1-Foot Linear Array Configuration Example



**11 inches Linear LED Array Kit:** 80.001.090.01, or 80.001.090.03, or 80.001.098.01, or 80.001.098.03  
Ordering code includes: one 11 in. linear LED board and 10W Lumenetix-araya Logic Module.  
0-10V; Bluetooth-enabled for iOS commissioning.

**To implement the above configuration, the following items must be added to the order:**

2-wire power cable assembly: 28.030.001.01  
24" flat ribbon cable; 16-pin Tyco connectors at each end: 28.030.002.02  
Reflector end caps (set of 2): 45.001.011.01

**The following items must also be added to the order depending on the control strategy/protocol chosen:**

**To implement 0-10V Control of the above:**  
4-wire control cable assembly: 28.002.002.02

**To implement DMX512-A control:**  
DMX512-A-RDM Control Card: 80.003.002.01

**To implement Lutron EcoSystem control:**  
Lutron Control Card: 80.003.002.02

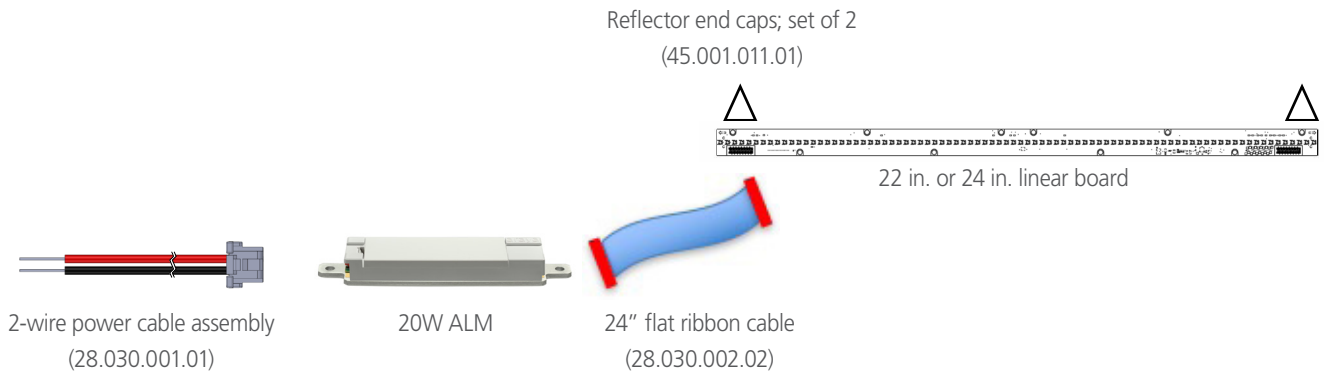
**To implement Avi-on Wireless BLE Mesh control:**  
Avi-on BLE Mesh Control Card: 80.003.005.01

**To implement DALI Type 8 control:**  
DALI Type 8 Control Card: 80.003.004.01

**To implement Wattstopper DLM control:**  
DLM LMLM-101 Interface: 80.003.003.03

## 22 LINEAR ARRAY CONFIGURATION EXAMPLES

### 22.2 2-Foot Linear Array Configuration Example



**22 inches Linear LED Array Kit:** 80.001.091.01, or 80.001.091.03, or 80.001.099.01, or 80.001.099.03  
**OR**

**24 inches Linear LED Array Kit:** 80.001.201.01, or 80.001.201.03

Ordering code includes: one 22 in. or one 24 in. linear LED board and 20W Lumenetix-araya Logic Module. 0-10V; Bluetooth-enabled for iOS commissioning.

**To implement the above configuration, the following items must be added to the order:**

2-wire power cable assembly: 28.030.001.01

24" flat ribbon cable; 16-pin Tyco connectors at each end: 28.030.002.02

Reflector end caps (set of 2): 45.001.011.01

**The following items must also be added to the order depending on the control strategy/protocol chosen:**

**To implement 0-10V Control of the above:**

4-wire control cable assembly: 28.002.002.02

**To implement Lutron EcoSystem control:**

Lutron Control Card: 80.003.002.02

**To implement DALI Type 8 control:**

DALI Type 8 Control Card: 80.003.004.01

**To implement DMX512-A control:**

DMX512-A-RDM Control Card: 80.003.002.01

**To implement Avi-on Wireless BLE Mesh control:**

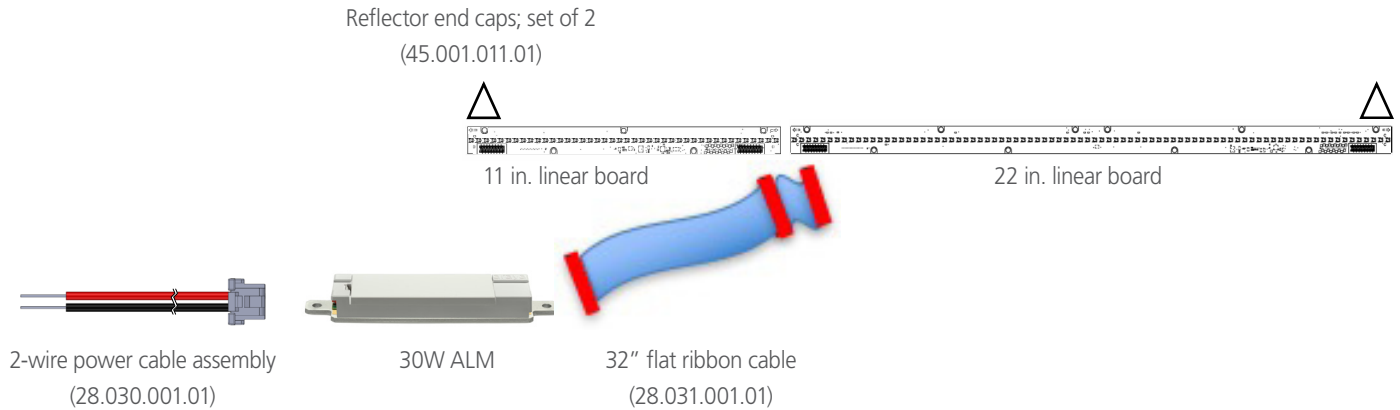
Avi-on BLE Mesh Control Card: 80.003.005.01

**To implement Wattstopper DLM control:**

DLM LMLM-101 Interface: 80.003.003.03

## 22 LINEAR ARRAY CONFIGURATION EXAMPLES

### 22.3 3-Foot Linear Array Configuration Example



**33 inches Linear LED Array Kit:** 80.001.092.01, or 80.001.092.03, or 80.001.100.01, or 80.001.100.03  
Ordering code includes: one 22 in. linear LED board, one 11 in. linear LED board and 30W Lumenetix-araya Logic Module.  
0-10V; Bluetooth-enabled for iOS commissioning.

**To implement the above configuration, the following items must be added to the order:**

2-wire power cable assembly: 28.030.001.01  
32" flat ribbon cable; 16-pin Tyco connectors at 0", 24" and 32": 28.031.001.01  
Reflector end caps (set of 2): 45.001.011.01

**The following items must also be added to the order depending on the control strategy/protocol chosen:**

**To implement 0-10V Control of the above:**  
4-wire control cable assembly: 28.002.002.02

**To implement DMX512-A control:**  
DMX512-A-RDM Control Card: 80.003.002.01

**To implement Lutron EcoSystem control:**  
Lutron Control Card: 80.003.002.02

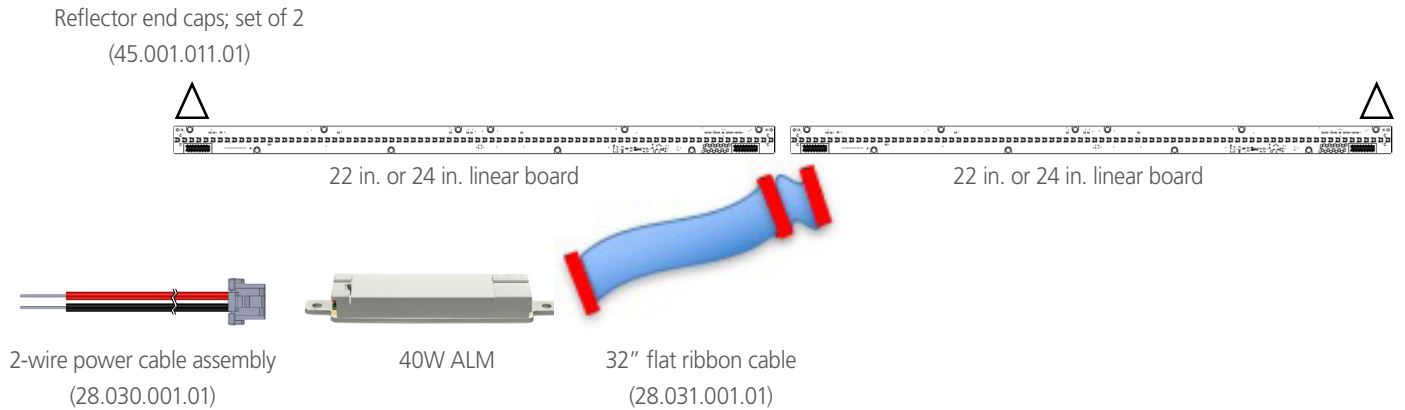
**To implement Avi-on Wireless BLE Mesh control:**  
Avi-on BLE Mesh Control Card: 80.003.005.01

**To implement DALI Type 8 control:**  
DALI Type 8 Control Card: 80.003.004.01

**To implement Wattstopper DLM control:**  
DLM LMLM-101 Interface: 80.003.003.03

## 22 LINEAR ARRAY CONFIGURATION EXAMPLES

### 22.4 4-Foot Linear Array Configuration Example



**44 inches Linear LED Array Kit:** 80.001.093.01, or 80.001.093.03, or 80.001.101.01, or 80.001.101.03  
**OR**

**48 inches Linear LED Array Kit:** 80.001.200.01, or 80.001.200.03

Ordering code includes: two 22 in. or two 24 in. linear LED boards and 40W Lumenetix-araya Logic Module.  
0-10V; Bluetooth-enabled for iOS commissioning.

**To implement the above configuration, the following items must be added to the order:**

2-wire power cable assembly: 28.030.001.01

32" flat ribbon cable; 16-pin Tyco connectors at 0", 24" and 32": 28.031.001.01

Reflector end caps (set of 2): 45.001.011.01

**The following items must also be added to the order depending on the control strategy/protocol chosen:**

**To implement 0-10V Control of the above:**

4-wire control cable assembly: 28.002.002.02

**To implement Lutron EcoSystem control:**

Lutron Control Card: 80.003.002.02

**To implement DALI Type 8 control:**

DALI Type 8 Control Card: 80.003.004.01

**To implement DMX512-A control:**

DMX512-A-RDM Control Card: 80.003.002.01

**To implement Avi-on Wireless BLE Mesh control:**

Avi-on BLE Mesh Control Card: 80.003.005.01

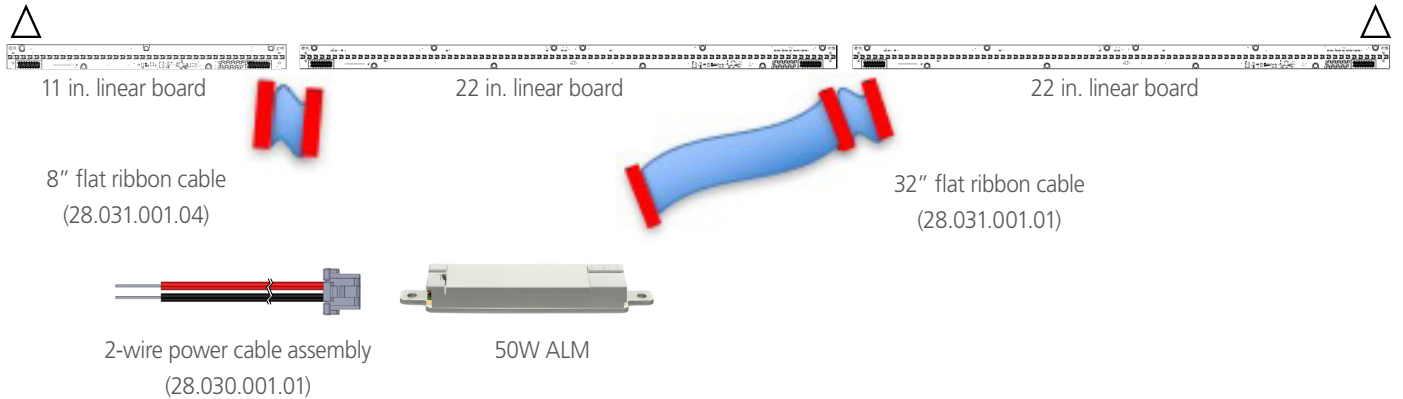
**To implement Wattstopper DLM control:**

DLM LMLM-101 Interface: 80.003.003.03

## 22 LINEAR ARRAY CONFIGURATION EXAMPLES

### 22.5 5-Foot Linear Array Configuration Example

Reflector end caps; set of 2  
(45.001.011.01)



**55 inches Linear LED Array Kit:** 80.001.094.01, or 80.001.094.03, or 80.001.102.01, or 80.001.102.03  
Ordering code includes: two 22 in. linear LED boards, one 11 in. linear LED board and 50W Lumenetix-araya Logic Module.  
0-10V; Bluetooth-enabled for iOS commissioning.

**To implement the above configuration, the following items must be added to the order:**

- 2-wire power cable assembly: 28.030.001.01
- 32" flat ribbon cable; 16-pin Tyco connectors at 0", 24" and 32": 28.031.001.01
- 8" flat ribbon cable; 16-pin Tyco connectors at each end: 28.030.001.04
- Reflector end caps (set of 2): 45.001.011.01

**The following items must also be added to the order depending on the control strategy/protocol chosen:**

**To implement 0-10V Control of the above:**  
4-wire control cable assembly: 28.002.002.02

**To implement DMX512-A control:**  
DMX512-A-RDM Control Card: 80.003.002.01

**To implement Lutron EcoSystem control:**  
Lutron Control Card: 80.003.002.02

**To implement Avi-on Wireless BLE Mesh control:**  
Avi-on BLE Mesh Control Card: 80.003.005.01

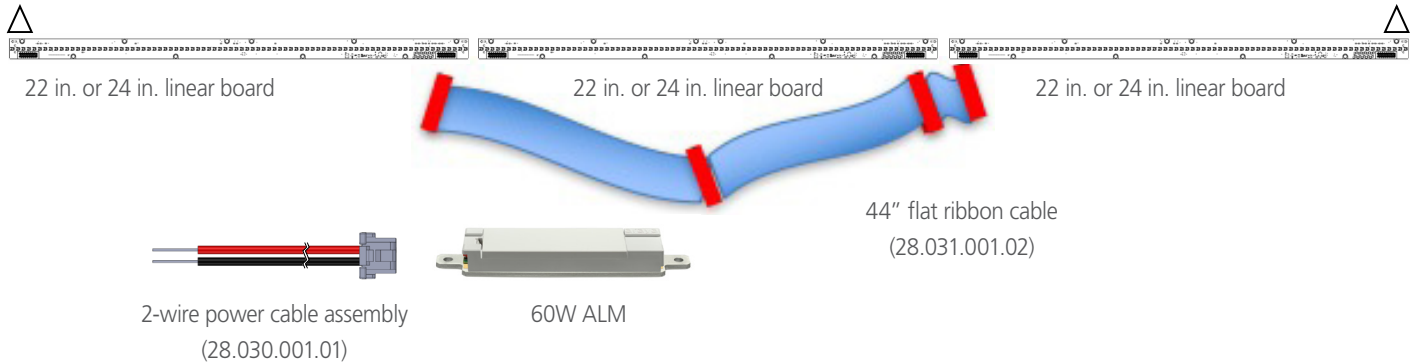
**To implement DALI Type 8 control:**  
DALI Type 8 Control Card: 80.003.004.01

**To implement Wattstopper DLM control:**  
DLM LMLM-101 Interface: 80.003.003.03

## 22 LINEAR ARRAY CONFIGURATION EXAMPLES

### 22.6 6-Foot Linear Array Configuration Example

Reflector end caps; set of 2  
(45.001.011.01)



**66 inches Linear LED Array Kit:** 80.001.095.01, or 80.001.095.03, or 80.001.103.01, or 80.001.103.03  
**OR**

**72 inches Linear LED Array Kit:** 80.001.202.01

Ordering code includes: three 22 in. or three 24 in. linear LED boards and 60W Lumenetix-araya Logic Module.  
0-10V; Bluetooth-enabled for iOS commissioning.

**To implement the above configuration, the following items must be added to the order:**

2-wire power cable assembly: 28.030.001.01

44" flat ribbon cable; 16-pin Tyco connectors at -20", -12", 0", and 24": 28.031.001.02

Reflector end caps (set of 2): 45.001.011.01

**The following items must also be added to the order depending on the control strategy/protocol chosen:**

**To implement 0-10V Control of the above:**

4-wire control cable assembly: 28.002.002.02

**To implement Lutron EcoSystem control:**

Lutron Control Card: 80.003.002.02

**To implement DALI Type 8 control:**

DALI Type 8 Control Card: 80.003.004.01

**To implement DMX512-A control:**

DMX512-A-RDM Control Card: 80.003.002.01

**To implement Avi-on Wireless BLE Mesh control:**

Avi-on BLE Mesh Control Card: 80.003.005.01

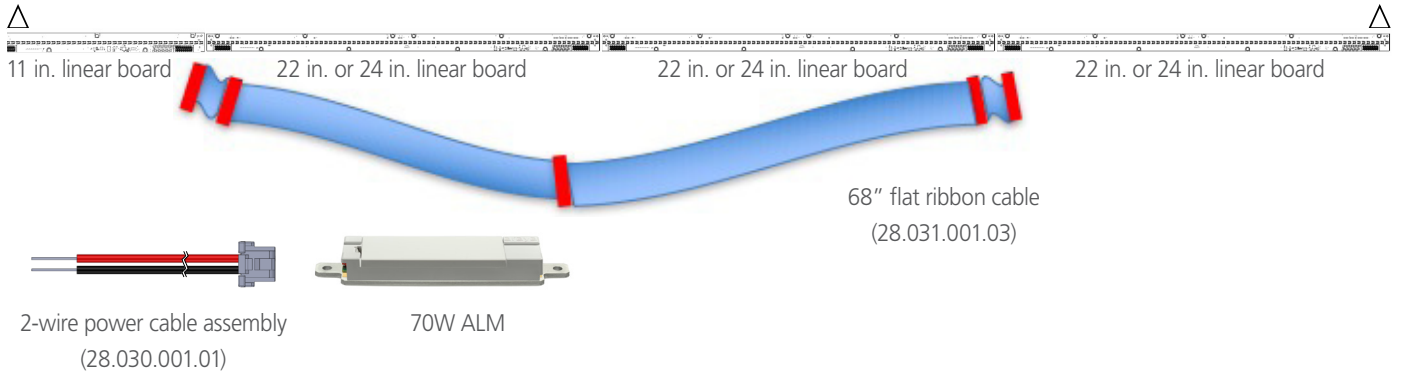
**To implement Wattstopper DLM control:**

DLM LMLM-101 Interface: 80.003.003.03

## 22 LINEAR ARRAY CONFIGURATION EXAMPLES

### 22.7 7-Foot Linear Array Configuration Example

Reflector end caps; set of 2  
(45.001.011.01)



**77 inches Linear LED Array Kit:** 80.001.096.01, or 80.001.096.03, or 80.001.104.01, or 80.001.104.03

**OR**

**83 inches Linear LED Array Kit:** 80.001.204.01

Ordering code includes: three 22 in. or three 24 in. linear LED boards, one 11 in. linear board and 70W Lumenetix-araya Logic Module. 0-10V; Bluetooth-enabled for iOS commissioning.

**To implement the above configuration, the following items must be added to the order:**

2-wire power cable assembly: 28.030.001.01

68" flat ribbon cable; 16-pin Tyco connectors at -34", -26", 0", 26" and 34": 28.031.001.03

Reflector end caps (set of 2): 45.001.011.01

**The following items must also be added to the order depending on the control strategy/protocol chosen:**

**To implement 0-10V Control of the above:**

4-wire control cable assembly: 28.002.002.02

**To implement Lutron EcoSystem control:**

Lutron Control Card: 80.003.002.02

**To implement DALI Type 8 control:**

DALI Type 8 Control Card: 80.003.004.01

**To implement DMX512-A control:**

DMX512-A-RDM Control Card: 80.003.002.01

**To implement Avi-on Wireless BLE Mesh control:**

Avi-on BLE Mesh Control Card: 80.003.005.01

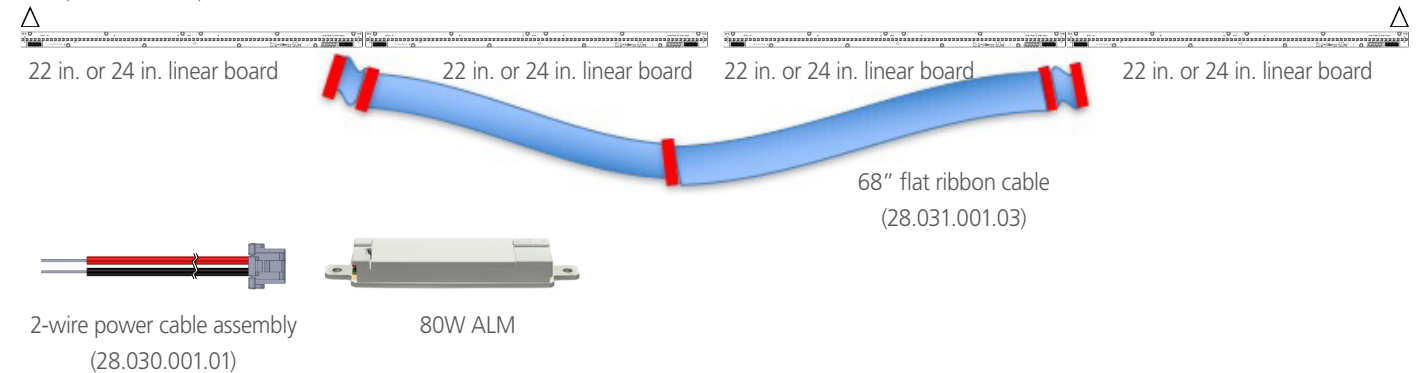
**To implement Wattstopper DLM control:**

DLM LMLM-101 Interface: 80.003.003.03

## 22 LINEAR ARRAY CONFIGURATION EXAMPLES

### 22.8 8-Foot Linear Array Configuration Example

Reflector end caps; set of 2  
(45.001.011.01)



**88 inches Linear LED Array Kit:** 80.001.097.01, or 80.001.097.03, or 80.001.105.01, or 80.001.105.03  
**OR**

**96 inches Linear LED Array Kit:** 80.001.203.01

Ordering code includes: Four 22 in. or four 24 in. linear LED boards and 80W Lumenetix-araya Logic Module.  
0-10V; Bluetooth-enabled for iOS commissioning.

**To implement the above configuration, the following items must be added to the order:**

2-wire power cable assembly: 28.030.001.01

68" flat ribbon cable; 16-pin Tyco connectors at -34", -26", 0", 26" and 34": 28.031.001.03

Reflector end caps (set of 2): 45.001.011.01

**The following items must also be added to the order depending on the control strategy/protocol chosen:**

**To implement 0-10V Control of the above:**

4-wire control cable assembly: 28.002.002.02

**To implement Lutron EcoSystem control:**

Lutron Control Card: 80.003.002.02

**To implement DALI Type 8 control:**

DALI Type 8 Control Card: 80.003.004.01

**To implement DMX512-A control:**

DMX512-A-RDM Control Card: 80.003.002.01

**To implement Avi-on Wireless BLE Mesh control:**

Avi-on BLE Mesh Control Card: 80.003.005.01

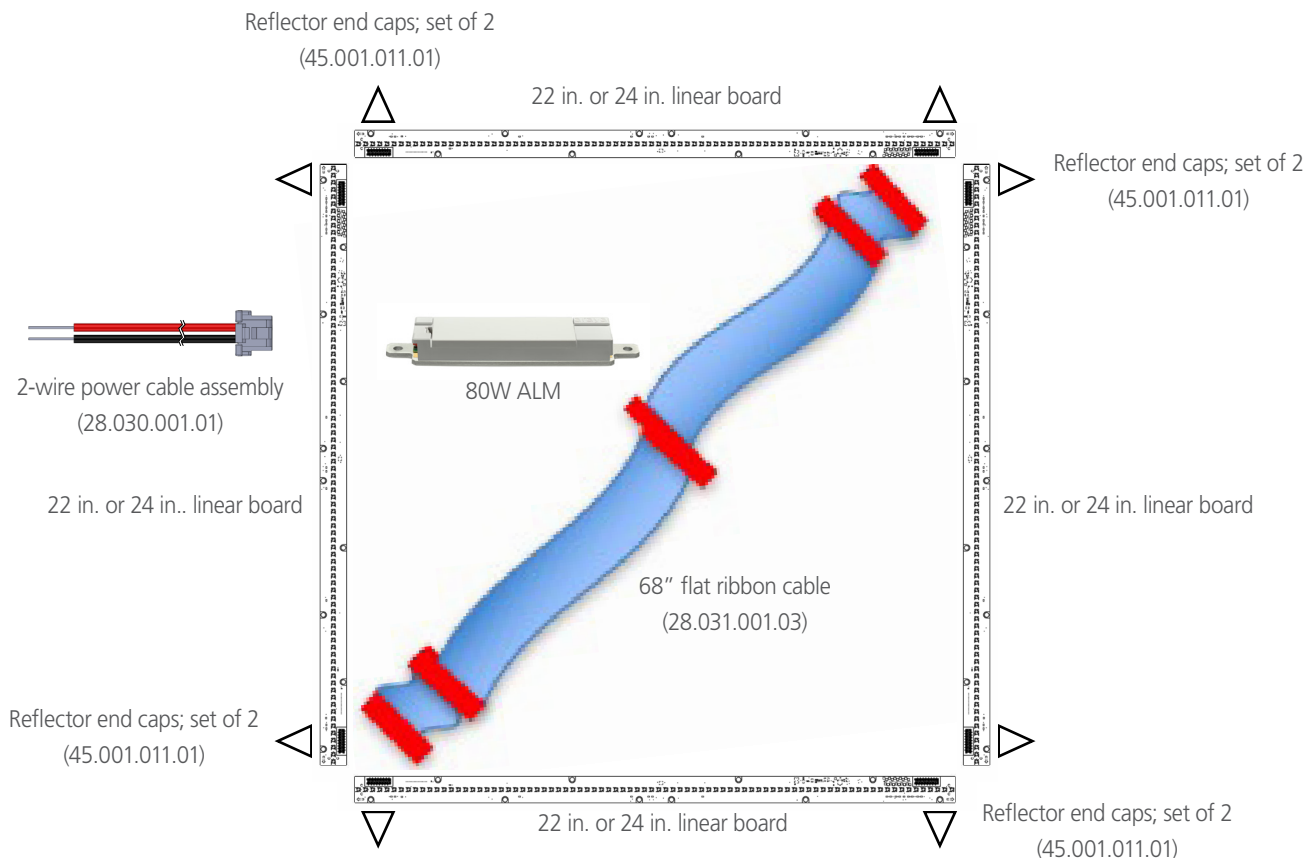
**To implement Wattstopper DLM control:**

DLM LMLM-101 Interface: 80.003.003.03



## 22 LINEAR ARRAY CONFIGURATION EXAMPLES

### 22.9 8-Foot Square-Shaped Linear Array Configuration Example



**88 inches Linear LED Array Kit:** 80.001.097.01, or 80.001.097.03, or 80.001.105.01, or 80.001.105.03  
**OR**

**96 inches Linear LED Array Kit:** 80.001.203.01

Ordering code includes: Four 22 in. or four 24 in. linear LED boards and 80W Lumenetix-araya Logic Module.  
0-10V; Bluetooth-enabled for iOS commissioning.

**Required accessories (ordered separately):**

2-wire power cable assembly: 28.030.001.01

68" flat ribbon cable; 16-pin Tyco connectors at -34", -26", 0", 26" and 34": 28.031.001.03

Reflector end caps (set of 2): 45.001.011.01 **(four orders)**

**The following items must also be added to the order depending on the control strategy/protocol chosen:**

**To implement 0-10V Control of the above:**

4-wire control cable assembly: 28.002.002.02

**To implement DMX512-A control:**

DMX512-A-RDM Control Card: 80.003.002.01

**To implement Lutron EcoSystem control:**

Lutron Control Card: 80.003.002.02

**To implement Avi-on Wireless BLE Mesh control:**

Avi-on BLE Mesh Control Card: 80.003.005.01

**To implement DALI Type 8 control:**

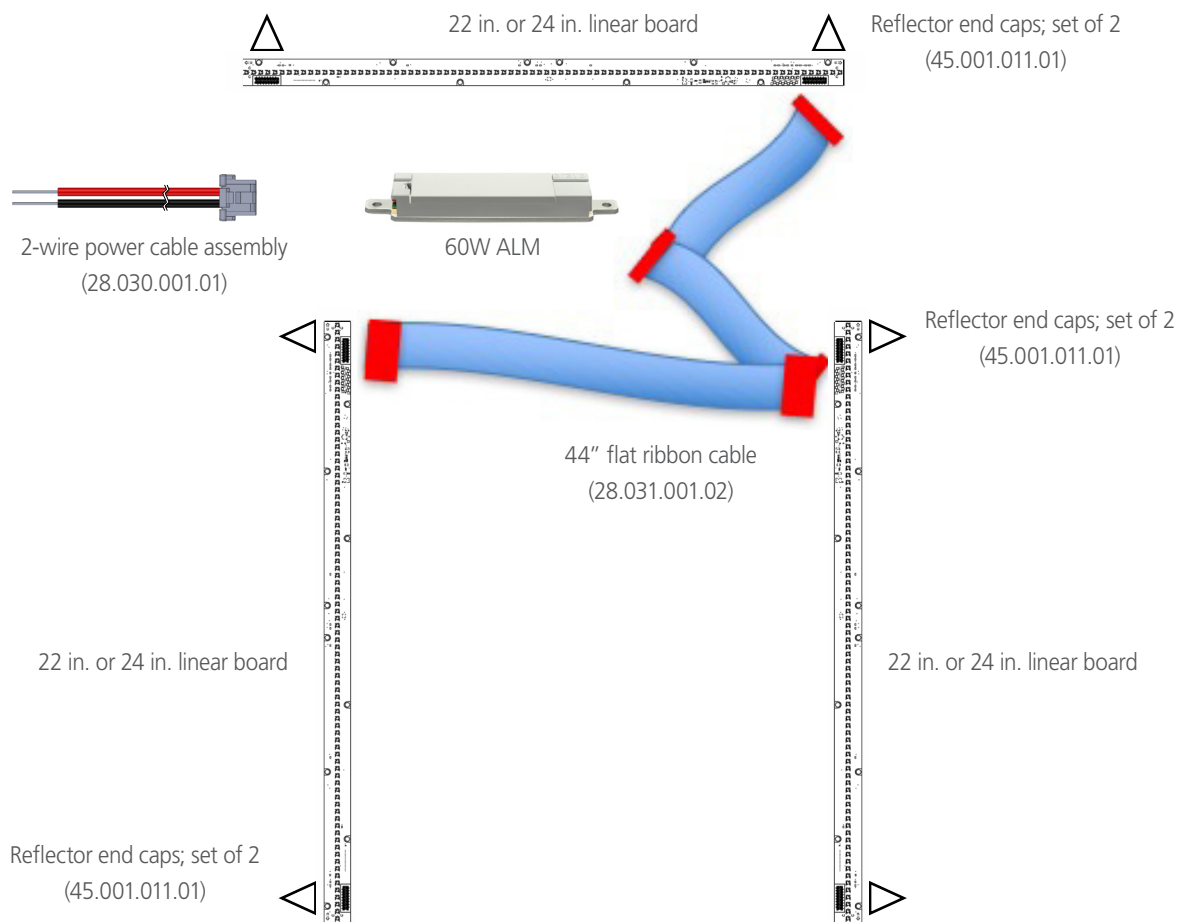
DALI Type 8 Control Card: 80.003.004.01

**To implement Wattstopper DLM control:**

DLM LMLM-101 Interface: 80.003.003.03

## 22 LINEAR ARRAY CONFIGURATION EXAMPLES

### 22.10 6-Foot U-Shaped Linear Array Configuration Example



**66 inches Linear LED Array Kit:** 80.001.095.01, or 80.001.095.03, or 80.001.103.01, or 80.001.103.03  
**OR**

**72 inches Linear LED Array Kit:** 80.001.202.01

Ordering code includes: three 22 in. or three 24 in. linear LED boards and 60W Lumenetix-araya Logic Module. 0-10V; Bluetooth-enabled for iOS commissioning.

**Required accessories (ordered separately):**

2-wire power cable assembly: 28.030.001.01

44" flat ribbon cable; 16-pin Tyco connectors at -20", -12", 0", and 24": 28.031.001.02

Reflector end caps (set of 2): 45.001.011.01 **(three orders)**

**The following items must also be added to the order depending on the control strategy/protocol chosen:**

**To implement 0-10V Control of the above:**

4-wire control cable assembly: 28.002.002.02

**To implement DMX512-A control:**

DMX512-A-RDM Control Card: 80.003.002.01

**To implement Lutron EcoSystem control:**

Lutron Control Card: 80.003.002.02

**To implement Avi-on Wireless BLE Mesh control:**

Avi-on BLE Mesh Control Card: 80.003.005.01

**To implement DALI Type 8 control:**

DALI Type 8 Control Card: 80.003.004.01

**To implement Wattstopper DLM control:**

DLM LMLM-101 Interface: 80.003.003.03