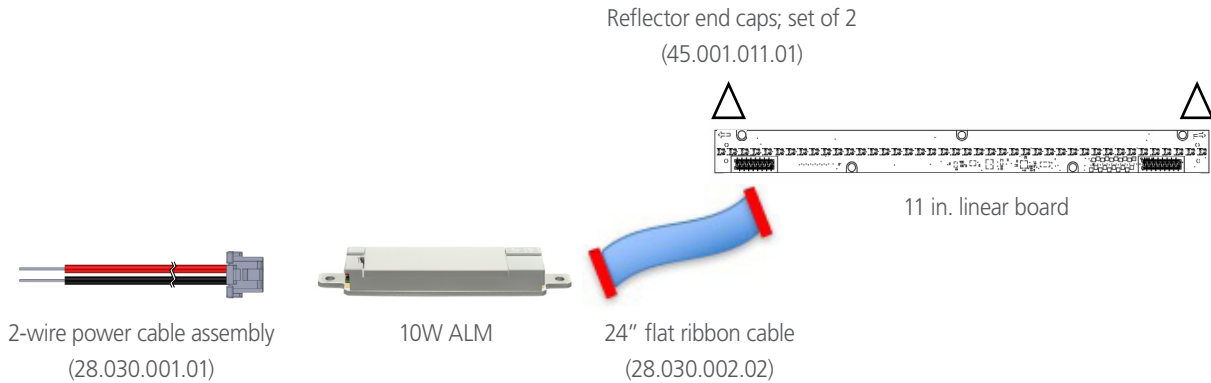


16 LINEAR ARRAY CONFIGURATION EXAMPLES

16.1 1-Foot Linear Array Configuration Example



11 inches Linear LED Array Kit: 80.001.090.01

Ordering code includes: one 11 in. linear LED board and 10W araya⁵ Logic Module. 0-10V; Bluetooth-enabled for iOS commissioning.

To implement the above configuration, the following items must be added to the order:

- 2-wire power cable assembly: 28.030.001.01
- 24" flat ribbon cable; 16-pin Tyco connectors at each end: 28.030.002.02
- Reflector end caps (set of 2): 45.001.011.01

To implement 0-10V Control of the above, the following items must also be added to the order:

- 7-wire control cable assembly: 28.002.002.01

To implement DMX512-A control of the above, the following items must also be added to the order:

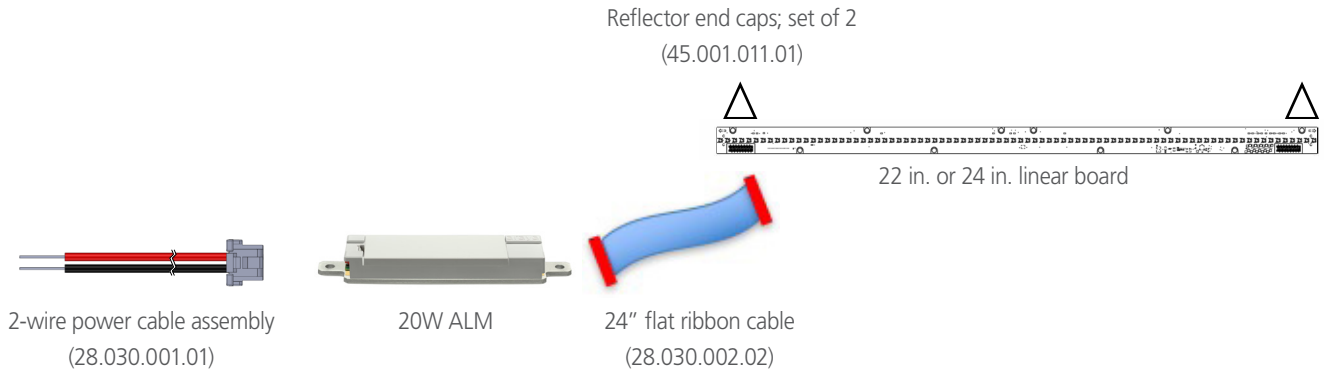
- DMX512-A-RDM Control Card: 80.003.001.01

To implement Lutron EcoSystem control of the above, the following items must also be added to the order:

- Lutron Control Card: 80.003.002.02

16 LINEAR ARRAY CONFIGURATION EXAMPLES

16.2 2-Foot Linear Array Configuration Example



22 inches Linear LED Array Kit: 80.001.091.01, **OR**

24 inches Linear LED Array Kit: 80.001.201.01

Ordering code includes: one 22 in. or one 24 in. linear LED board and 20W araya⁵ Logic Module.

0-10V; Bluetooth-enabled for iOS commissioning.

To implement the above configuration, the following items must be added to the order:

2-wire power cable assembly: 28.030.001.01

24" flat ribbon cable; 16-pin Tyco connectors at each end: 28.030.002.02

Reflector end caps (set of 2): 45.001.011.01

To implement 0-10V Control of the above, the following items must also be added to the order:

7-wire control cable assembly: 28.002.002.01

To implement DMX512-A control:

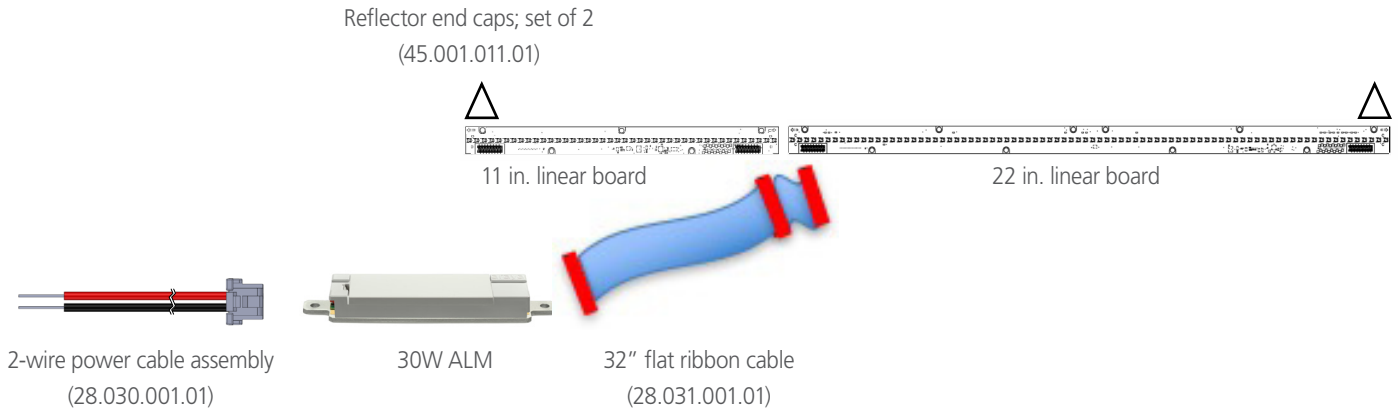
DMX512-A-RDM Control Card: 80.003.001.01

To implement Lutron EcoSystem control of the above, the following items must also be added to the order:

Lutron Control Card: 80.003.002.02

16 LINEAR ARRAY CONFIGURATION EXAMPLES

16.3 3-Foot Linear Array Configuration Example



33 inches Linear LED Array Kit: 80.001.092.01

Ordering code includes: one 22 in. linear LED board, one 11 in. linear LED board and 30W araya⁵ Logic Module. 0-10V; Bluetooth-enabled for iOS commissioning.

To implement the above configuration, the following items must be added to the order:

2-wire power cable assembly: 28.030.001.01
32" flat ribbon cable; 16-pin Tyco connectors at 0", 24" and 32": 28.031.001.01
Reflector end caps (set of 2): 45.001.011.01

To implement 0-10V Control of the above, the following items must also be added to the order:

7-wire control cable assembly: 28.002.002.01

To implement DMX512-A control:

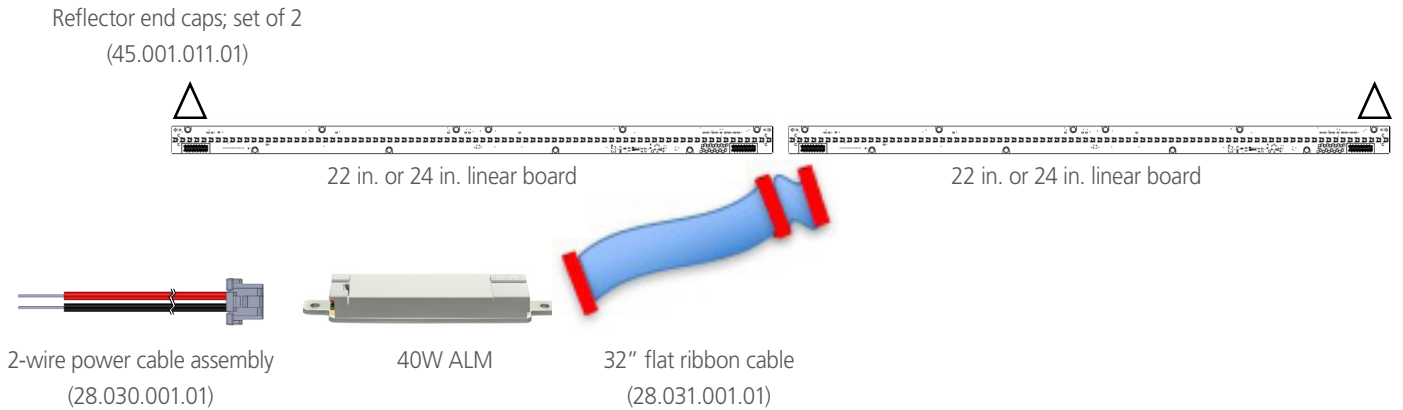
DMX512-A-RDM Control Card: 80.003.001.01

To implement Lutron EcoSystem control of the above, the following items must also be added to the order:

Lutron Control Card: 80.003.002.02

16 LINEAR ARRAY CONFIGURATION EXAMPLES

16.4 4-Foot Linear Array Configuration Example



44 inches Linear LED Array Kit: 80.001.093.01, **OR**

48 inches Linear LED Array Kit: 80.001.200.01

Ordering code includes: two 22 in. or two 24 in. linear LED boards and 40W araya⁵ Logic Module.

0-10V; Bluetooth-enabled for iOS commissioning.

To implement the above configuration, the following items must be added to the order:

2-wire power cable assembly: 28.030.001.01

32" flat ribbon cable; 16-pin Tyco connectors at 0", 24" and 32": 28.031.001.01

Reflector end caps (set of 2): 45.001.011.01

To implement 0-10V Control of the above, the following items must also be added to the order:

7-wire control cable assembly: 28.002.002.01

To implement DMX512-A control:

DMX512-A-RDM Control Card: 80.003.001.01

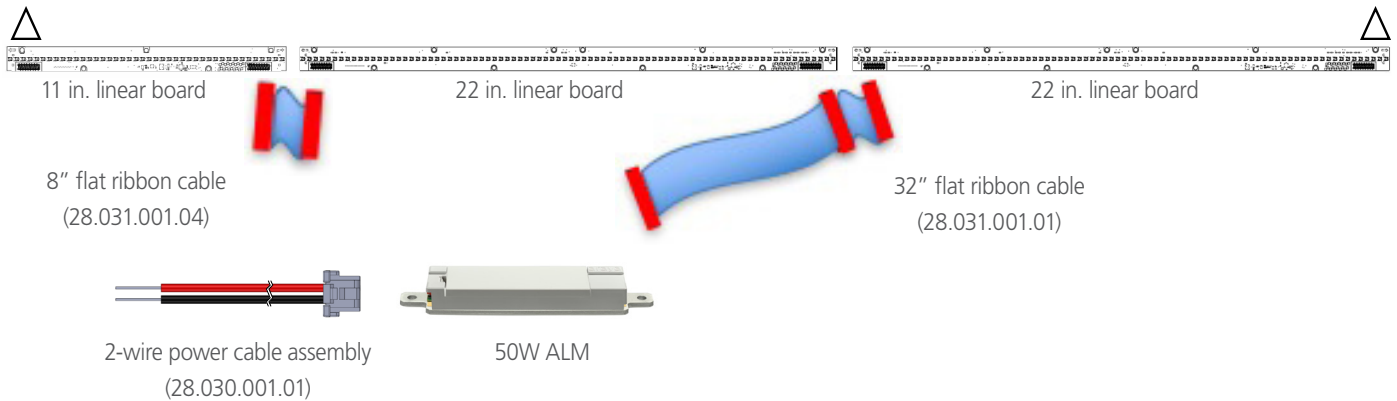
To implement Lutron EcoSystem control of the above, the following items must also be added to the order:

Lutron Control Card: 80.003.002.02

16 LINEAR ARRAY CONFIGURATION EXAMPLES

16.5 5-Foot Linear Array Configuration Example

Reflector end caps; set of 2
(45.001.011.01)



55 inches Linear LED Array Kit: 80.001.094.01

Ordering code includes: two 22 in. linear LED boards, one 11 in. linear LED board and 50W araya⁵ Logic Module. 0-10V; Bluetooth-enabled for iOS commissioning.

To implement the above configuration, the following items must be added to the order:

- 2-wire power cable assembly: 28.030.001.01
- 32" flat ribbon cable; 16-pin Tyco connectors at 0", 24" and 32": 28.031.001.01
- 8" flat ribbon cable; 16-pin Tyco connectors at each end: 28.030.001.04
- Reflector end caps (set of 2): 45.001.011.01

To implement 0-10V Control of the above, the following items must also be added to the order:

- 7-wire control cable assembly: 28.002.002.01

To implement DMX512-A control:

- DMX512-A-RDM Control Card: 80.003.001.01

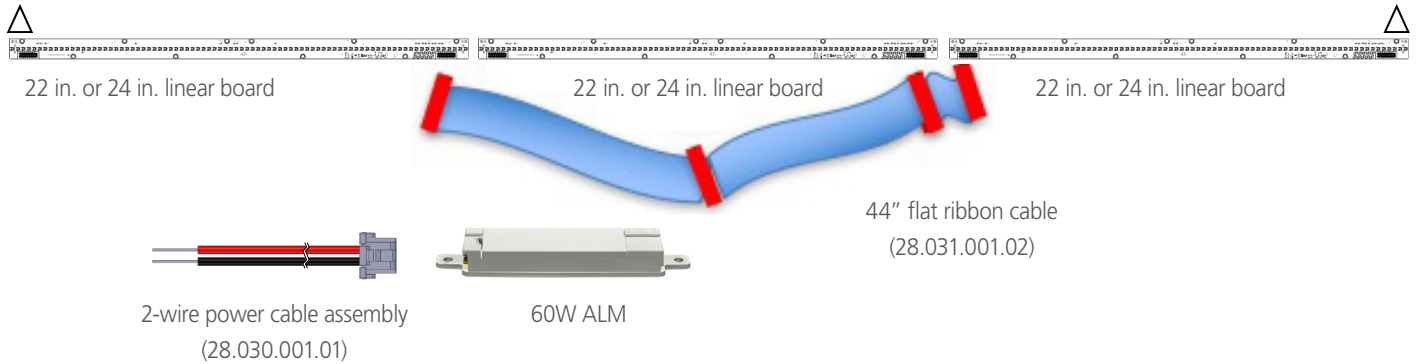
To implement Lutron EcoSystem control of the above, the following items must also be added to the order:

- Lutron Control Card: 80.003.002.02

16 LINEAR ARRAY CONFIGURATION EXAMPLES

16.6 6-Foot Linear Array Configuration Example

Reflector end caps; set of 2
(45.001.011.01)



66 inches Linear LED Array Kit: 80.001.095.01, **OR**

72 inches Linear LED Array Kit: 80.001.202.01

Ordering code includes: three 22 in. or three 24 in. linear LED boards and 60W araya⁵ Logic Module.
0-10V; Bluetooth-enabled for iOS commissioning.

To implement the above configuration, the following items must be added to the order:

2-wire power cable assembly: 28.030.001.01

44" flat ribbon cable; 16-pin Tyco connectors at -20", -12", 0", and 24": 28.031.001.02

Reflector end caps (set of 2): 45.001.011.01

To implement 0-10V Control of the above, the following items must also be added to the order:

7-wire control cable assembly: 28.002.002.01

To implement DMX512-A control:

DMX512-A-RDM Control Card: 80.003.001.01

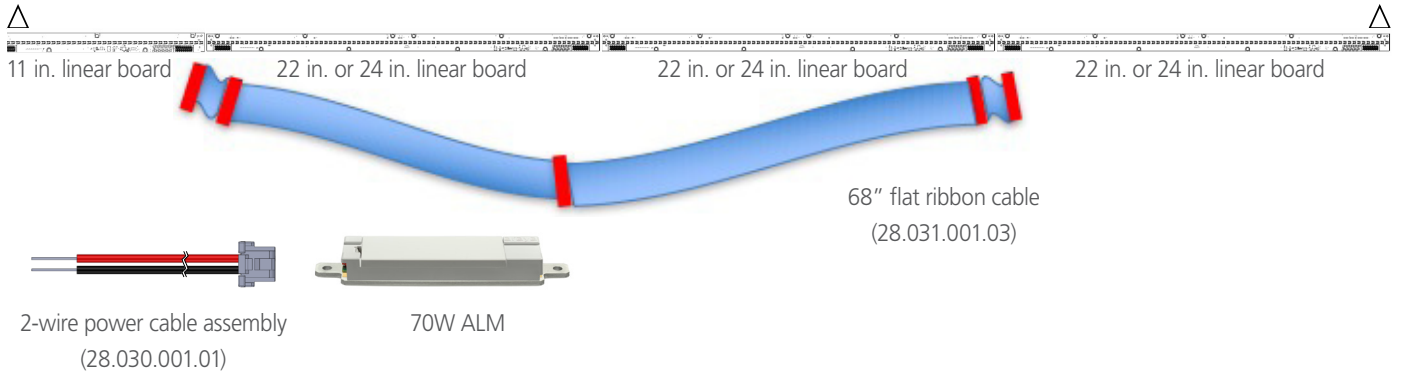
To implement Lutron EcoSystem control of the above, the following items must also be added to the order:

Lutron Control Card: 80.003.002.02

16 LINEAR ARRAY CONFIGURATION EXAMPLES

16.7 7-Foot Linear Array Configuration Example

Reflector end caps; set of 2
(45.001.011.01)



77 inches Linear LED Array Kit: 80.001.096.01, **OR**

83 inches Linear LED Array Kit: 80.001.204.01

Ordering code includes: three 22 in. or three 24 in. linear LED boards, one 11 in. linear board and 70W araya⁵ Logic Module. 0-10V; Bluetooth-enabled for iOS commissioning.

To implement the above configuration, the following items must be added to the order:

2-wire power cable assembly: 28.030.001.01

68" flat ribbon cable; 16-pin Tyco connectors at -34", -26", 0", 26" and 34": 28.031.001.03

Reflector end caps (set of 2): 45.001.011.01

To implement 0-10V Control of the above, the following items must also be added to the order:

7-wire control cable assembly: 28.002.002.01

To implement DMX512-A control:

DMX512-A-RDM Control Card: 80.003.001.01

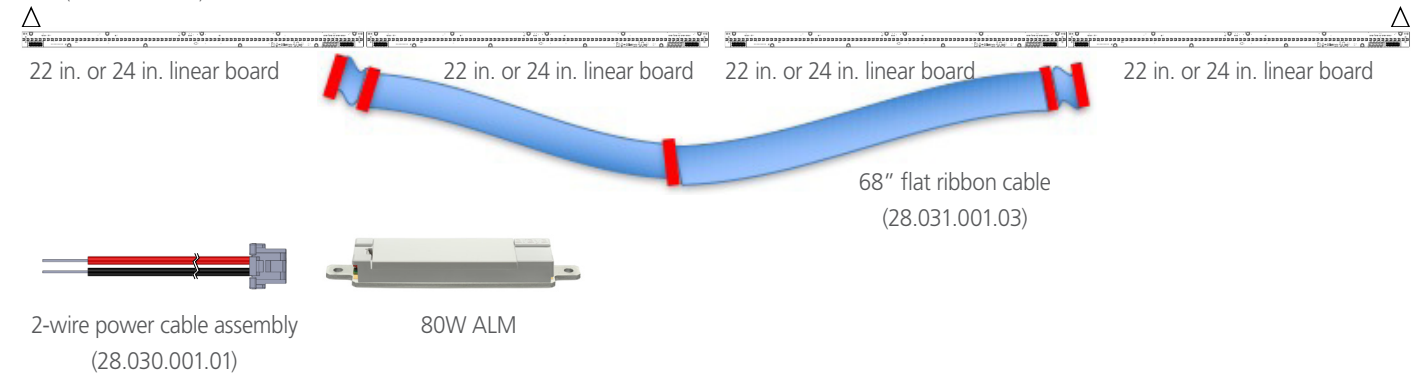
To implement Lutron EcoSystem control of the above, the following items must also be added to the order:

Lutron Control Card: 80.003.002.02

16 LINEAR ARRAY CONFIGURATION EXAMPLES

16.8 8-Foot Linear Array Configuration Example

Reflector end caps; set of 2
(45.001.011.01)



88 inches Linear LED Array Kit: 80.001.097.01, **OR**

96 inches Linear LED Array Kit: 80.001.203.01

Ordering code includes: Four 22 in. or four 24 in. linear LED boards and 80W araya⁵ Logic Module. 0-10V; Bluetooth-enabled for iOS commissioning.

To implement the above configuration, the following items must be added to the order:

2-wire power cable assembly: 28.030.001.01

68" flat ribbon cable; 16-pin Tyco connectors at -34", -26", 0", 26" and 34": 28.031.001.03

Reflector end caps (set of 2): 45.001.011.01

To implement 0-10V Control of the above, the following items must also be added to the order:

7-wire control cable assembly: 28.002.002.01

To implement DMX512-A control:

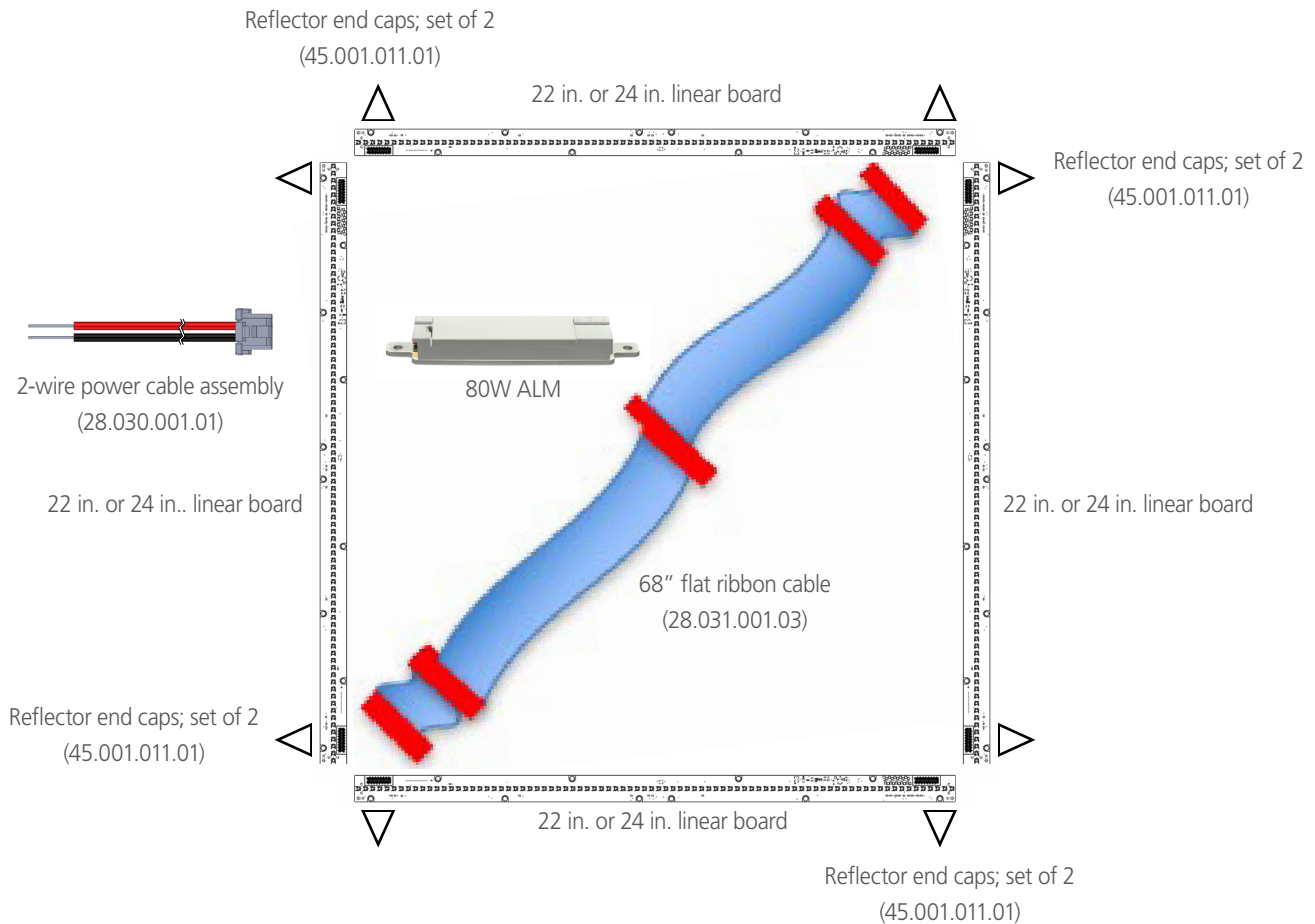
DMX512-A-RDM Control Card: 80.003.001.01

To implement Lutron EcoSystem control of the above, the following items must also be added to the order:

Lutron Control Card: 80.003.002.02

16 LINEAR ARRAY CONFIGURATION EXAMPLES

16.9 8-Foot Square-Shaped Linear Array Configuration Example



88 inches Linear LED Array Kit: 80.001.097.01, **OR**

96 inches Linear LED Array Kit: 80.001.203.01

Ordering code includes: Four 22 in. or four 24 in. linear LED boards and 80W araya⁵ Logic Module. 0-10V; Bluetooth-enabled for iOS commissioning.

Required accessories (ordered separately):

2-wire power cable assembly: 28.030.001.01

68 inch flat ribbon cable; 16-pin Tyco connectors at -34", -26", 0", 26" and 34": 28.031.001.03

Reflector end caps (set of 2): 45.001.011.01 **(four orders)**

To implement 0-10V Control:

7-wire control cable assembly: 28.002.002.01

To implement DMX512-A control:

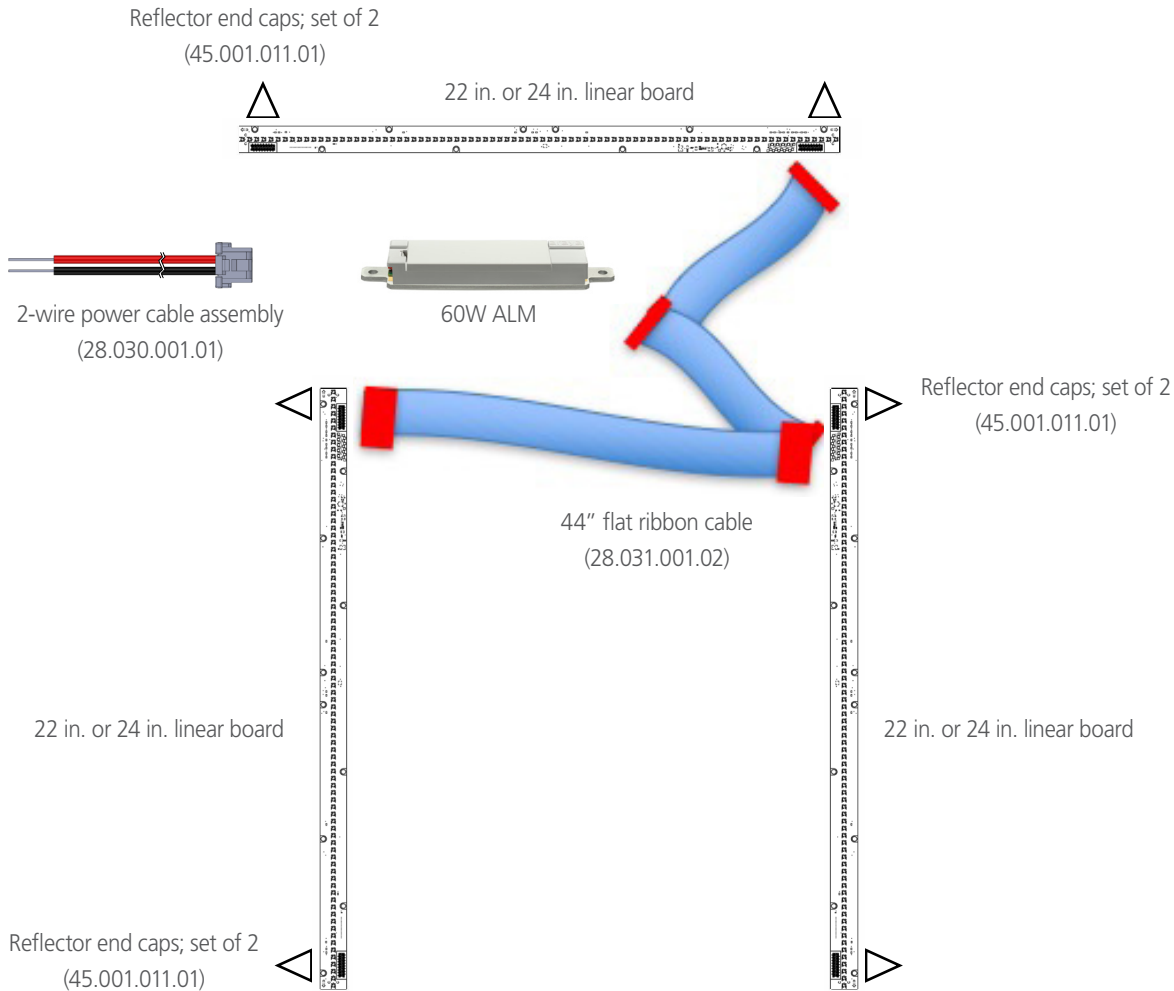
DMX512-A-RDM Control Card: 80.003.001.01

To implement Lutron EcoSystem control:

Lutron Control Card: 80.003.002.02

16 LINEAR ARRAY CONFIGURATION EXAMPLES

16.10 6-Foot U-Shaped Linear Array Configuration Example



66 inches Linear LED Array Kit: 80.001.095.01, **OR**

72 inches Linear LED Array Kit: 80.001.202.01

Ordering code includes: three 22 in. or three 24 in. linear LED boards and 60W araya⁵ Logic Module. 0-10V; Bluetooth-enabled for iOS commissioning.

Required accessories (ordered separately):

2-wire power cable assembly: 28.030.001.01

44" flat ribbon cable; 16-pin Tyco connectors at -20", -12", 0", and 24": 28.031.001.02

Reflector end caps (set of 2): 45.001.011.01 **(three orders)**

To implement 0-10V Control:

7-wire control cable assembly: 28.002.002.01

To implement DMX512-A control:

DMX512-A-RDM Control Card: 80.003.001.01

To implement Lutron EcoSystem control:

Lutron Control Card: 80.003.002.02