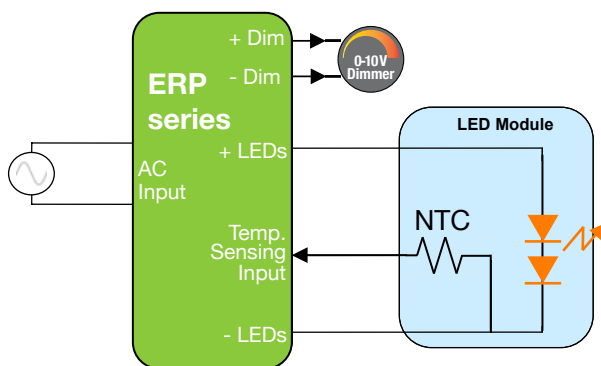


High Power Density Constant Current LED Drivers with 0-10 V Dimming

Input Voltage	Max. Output Power	Output Voltage	Output Current	Efficiency	Max. Case Temperature	THD	Power Factor	Dimming Method	Dimming Range
120 to 277 Vac nominal	40 W	16 to 54.5 Vdc	350 mA to 1.40 A CC	up to 90% typical	90°C (measured at the hot spot)	< 20%	> 0.9	0 - 10V	10 - 100% (% of Iout)

CC: Constant Current



Plastic Case
L 70 x W 40 x H 27 mm
(L 2.76 x W 1.57 x H 1.06 in)

ERP Part Number	Nominal Input Voltage (Vac)	Iout (mA)	Max Output Power (W)	Output Voltage Range (Vdc)	
				Min	Max
ERP020W: 10 to 20 W					
ERP020W-0350-28	120 - 277	350	9.8	21	28
ERP020W-0350-54.5	120 - 277	350	19.1	41	54.5
ERP020W-0450-42	120 - 277	450	18.9	31.5	42
ERP020W-0700-23.5	120 - 277	700	16.5	17.5	23.5
ERP020W-0720-24.5	120 - 277	720	17.6	18	24.5
ERP030W: 21 to 30 W					
ERP030W-0500-42	120 - 277	500	21.0	31.5	42
ERP030W-0500-54.5	120 - 277	500	27.3	41	54.5
ERP030W-0600-42	120 - 277	600	25.2	31.5	42
ERP030W-0700-32	120 - 277	700	22.4	22.5	32
ERP030W-0700-38.5	120 - 277	700	27.0	29	38.5
ERP040W: 31 to 40 W					
ERP040W-0700-45.5	120 - 277	700	31.9	34	45.5
ERP040W-0900-42	120 - 277	900	37.8	31.5	42
ERP040W-1050-38	120 - 277	1050	39.9	28.5	38
ERP040W-1400-24.5	120 - 277	1400	32.9	17.5	23.5

FEATURES

- **NOT RECOMMENDED FOR NEW DESIGNS. FOR NEW DESIGNS, USE THE ESS/ESST SERIES.**
- Highest power density in the market: 8.5 W/in³
- Protections: output open load, over-current and short-circuit (hiccup), and over-temperature with auto recovery
- Conducted and radiated EMI: Compliant with FCC part 15 Class B (120 Vac) / Class A (277 Vac) and EN55015 (CISPR 15) at 220/230/240 Vac
- Complies with ENERGY STAR® luminaire specification
- IP64-rated case with silicone-based potting
- Lifetime: 50,000 hours min at 70°C case temperature
- 90°C maximum case hot spot temperature
- Class 2 power supply

APPLICATIONS

- Commercial lighting
- Residential lighting
- Architectural lighting
- Tunnels and street lighting
- Wide-area downlights

