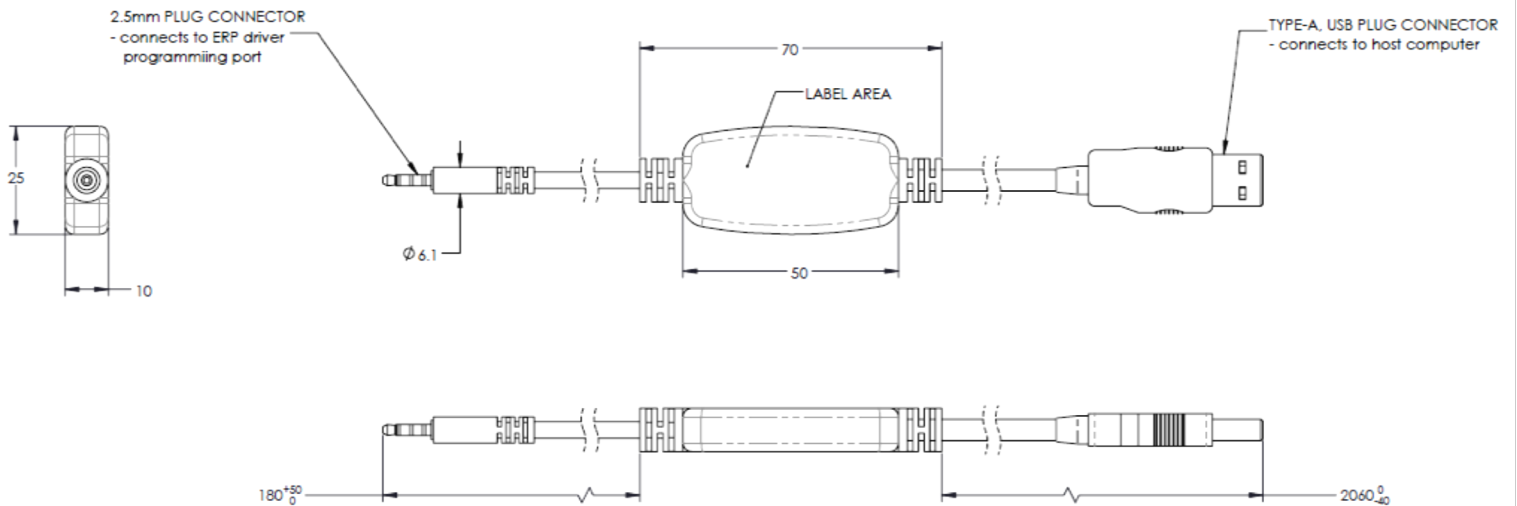
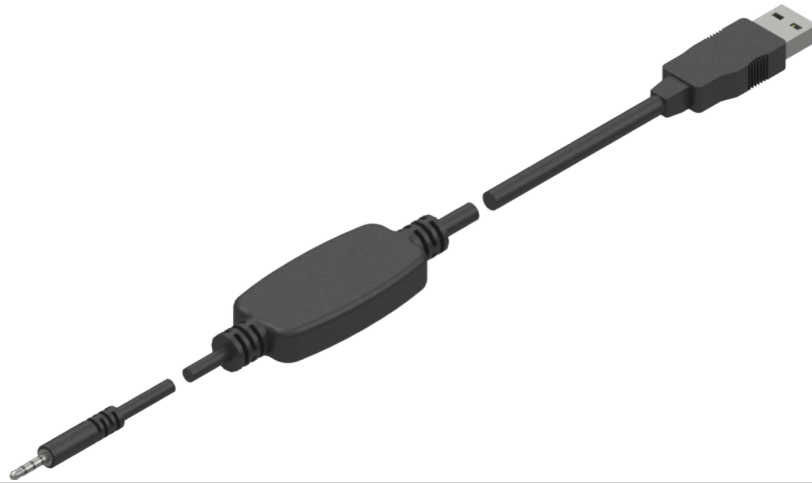




P  W E R™

# PROG-JACK-USB

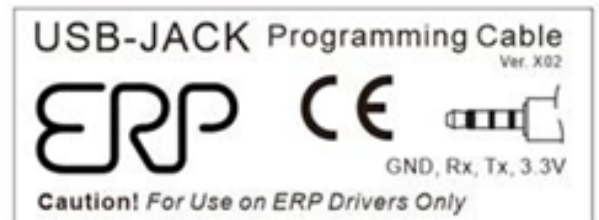
## USB Cable for use with ERP Programmable LED Drivers



### APPLICATIONS

- For use with ERP programmable drivers using a 3.5 mm audio jack programming port: PDB, PMB, PHB, PSB series
- Order using part number PROG-JACK-USB

### LABEL



#### CHINA Operations

tel: +86-756-6266298  
No. 8 Pingdong Road 2  
Zhuhai, Guangdong, China 519060

[www.erp-power.com](http://www.erp-power.com)

[SaveEnergy@erp-power.com](mailto:SaveEnergy@erp-power.com)

#### USA Headquarters

tel: +1-805-517-1300  
893 Patriot Drive, Suite E  
Moorpark, CA 93021, USA