


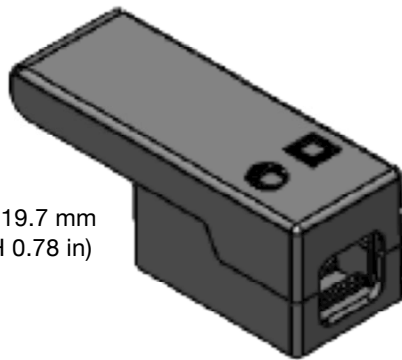
Strain Relief for use with ERP LED Drivers

FEATURES

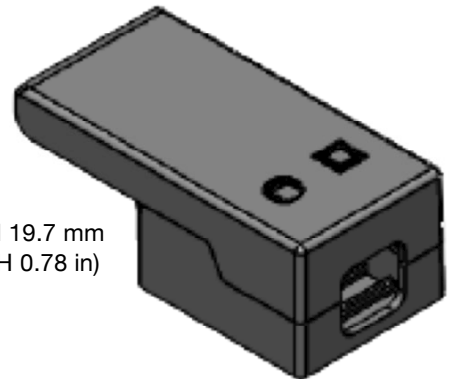
- Easy and tool free installation
- Accepts wide range of cable types
- Enables drivers to be used as independent control gear 

COMPATIBILITY

- SR1
 - VLM40
 - VLM60
- SR2
 - PSB30
 - PSB40
 - PSB50
 - VLM100



SR1:
L 52.7 x W 19.8 x H 19.7 mm
(L 2.07 x W 0.78 x H 0.78 in)



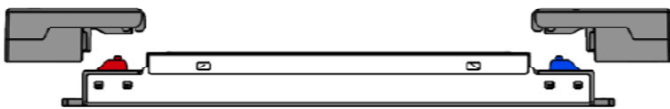
SR2:
L 52.7 x W 26.2 x H 19.7 mm
(L 2.07 x W 1.03 x H 0.78 in)

	Item	Value	Unit	Remarks	
Basic Data	Cable Jacket Diameter	5.5~9.5	mm		
	Weight	8	g		
Tested Cable Types (acc. IEC 60598-1)	Cable	Wire (mm ²)	Outer Diameter (mm)	Cable position	
		NYM-J 3x1.5	1.50	8.2	Input side
		NYM-J 2x1.5	1.50	7.8	Input side
		H05 VV-F 3x1.5	1.50	7.8	Input & output side
		H05 VV-F 3x1	1.00	7	Input & output side
		H05 VV-F 2x1	1.00	6.5	Input & output side
		H05 VV-F 3x0.75	0.75	6.5	Input & output side
		H05 VV-F 4x1	1.00	9	Output side ; SR2 Only
		H03 VV-F 4x0.75	0.75	6.5	Output side ; SR2 Only
		H03 VV-F 2x0.75	0.75	5.5	Output side
		2xAWG 22 jacketed cable 21520	0.32	2.4	Output side
	2xAWG 22 single wire	0.32	1.6	Output side	

Strain Relief for use with ERP LED Drivers

INSTALLATION STEPS

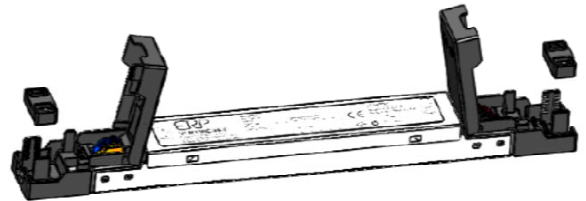
1. MATCH CABLE CLAMP WITH CORRESPONDING DRIVER.



2. SNAP CABLE CLAMP INTO DRIVER'S END-CAP AS SHOWN.



3. ROTATE COVER FOR WIRE INSTALLATION. PUSH DOWN THE LOCKER FOR WIRE TIGHTENING.

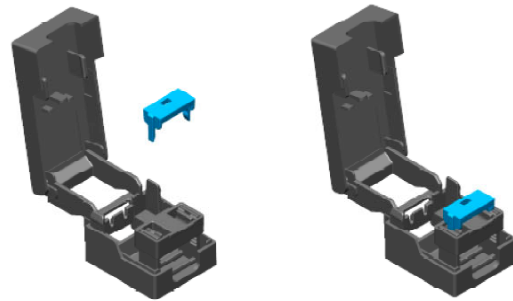
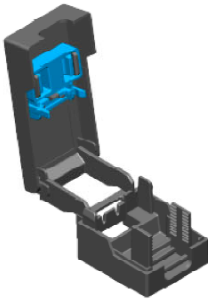


4. CLOSE CLAMP COVER.



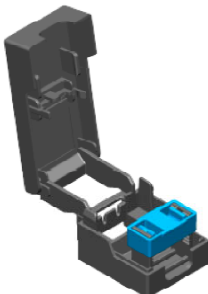
ADDITIONAL DETAILS

1. THE SNAP LOCK AND KEY WERE ATTACHED ON THE COVER AS PRE-ASSEMBLY.



3. PUSH THE KEY INTO SNAP LOCK AND PULL UP SNAP LOCK FOR DISASSEMBLY

2. GET OFF SNAP LOCK FROM THE COVER. PUSH DOWN SNAP LOCK AFTER WIRE ASSEMBLED.



SNAP LOCK

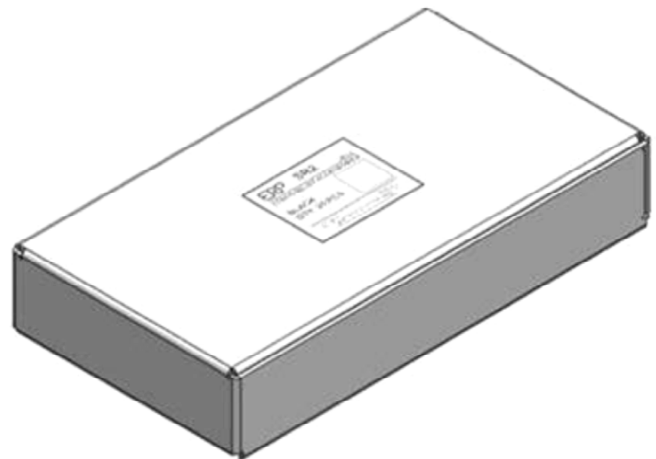
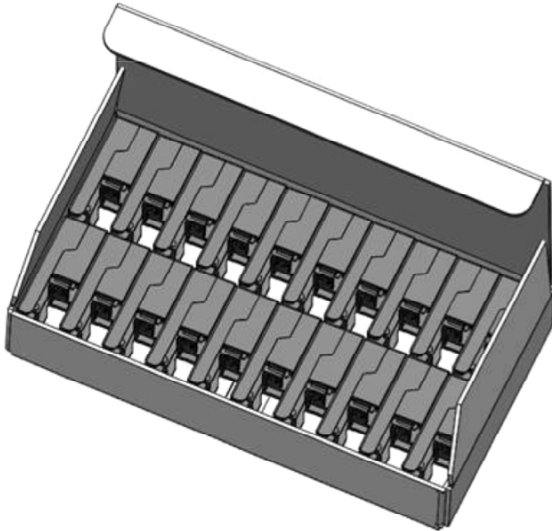


KEY

Strain Relief for use with ERP LED Drivers

ORDERING INFORMATION

ERP strain reliefs are shipped in quantities of 20 strain reliefs per carton. Strain reliefs can be ordered using part number SR1 or SR2, depending on associated LED driver.



USA Headquarters
Tel: +1-805-517-1300
Fax: +1-805-517-1411
893 Patriot Drive, Suite E,
Moorpark, CA 93021, USA

CHINA Operations
Tel: +86-756-6266298
Fax: +86-756-6266299
No. 8 Pingdong Road 2
Zhuhai, Guangdong, China 519060

ERP Power, LLC (ERP) reserves the right to make changes without further notice to any products herein. ERP makes no warranty, representation or guarantee regarding the suitability of its products for any particular purpose, nor does ERP assume any liability arising out of the application or use of any product or circuit, and specifically disclaims any and all liability, including without limitation special, consequential or incidental damages. "Typical" parameters which may be provided in ERP data sheets and/or specifications can and do vary in different applications and actual performance may vary over time. All operating parameters, including "Typicals" must be validated for each customer application by customer's technical experts. ERP does not convey any license under its patent rights nor the rights of others. ERP products are not designed, intended, or authorized for use as components in systems intended for surgical implant into the body, or other applications intended to support or sustain life, or for any other application in which the failure of the ERP product could create a situation where personal injury or death may occur. Should Buyer purchase or use ERP products for any such unintended or unauthorized application, Buyer shall indemnify and hold ERP and its officers, employees, subsidiaries, affiliates, and distributors harmless against all claims, costs, damages, and expenses, and reasonable attorney fees arising out of, directly or indirectly, any claim of personal injury or death associated with such unintended or unauthorized use, even if such claim alleges that ERP was negligent regarding the design or manufacture of the part. ERP is an Equal Opportunity/Affirmative Action Employer. This literature is subject to all applicable copyright laws and is not for resale in any manner.