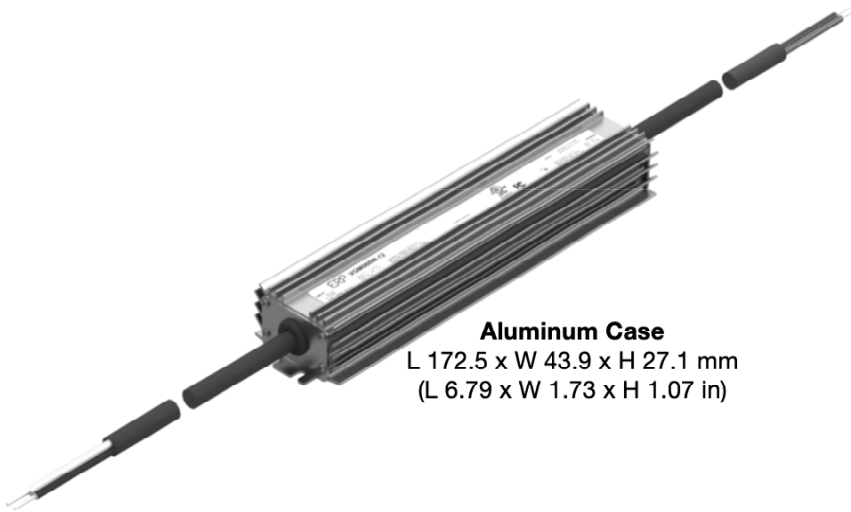


90 & 60 W, Efficient, CV Class 2 LED Drivers for Signage Applications

Nominal Input Voltage	Max. Output Power	Nominal Output Voltage	Max. Output Current	Efficiency	Max. Case Temperature	THD	Power Factor
120 & 277 Vac	90 W	12, 24 Vdc	5, 3.75 A	up to 90% typical	90°C (measured at the hot spot)	< 20%	> 0.9



Aluminum Case
L 172.5 x W 43.9 x H 27.1 mm
(L 6.79 x W 1.73 x H 1.07 in)



Typical Application Diagram



Wiring Diagram

ERP Part Number	Nominal Input Voltage (Vac)	Pout Max (W)	Vout Nom (Vdc)	Iout Min (A)	Iout Max (A)	Open Loop Voltage (No Load Vout Max) (Vdc)
VGM060W-12	120 & 277	60	12	0.1	5	12.84
VGM100W-24	120 & 277	90	24	0.2	3.75	25.68

FEATURES

- Class 2 power supply
- IP66-rated case with silicone-based potting
- Lifetime: 50,000 hours min at 50° C ambient temperature
- UL879 SAM (Sign Component Manual) listing
- Surge protection:
 - IEC61000-4-5: 6 kV line to line/6 kV line to earth
 - 2.5 kV ring wave: ANSI/IEEE c62.41.1-2002 & c62.41.2-2002 category A
- Complies with ENERGY STAR®, DLC (DesignLight Consortium®) and CA Title 24 technical requirements
- Worldwide safety approvals



CA Title 24

TYPICAL APPLICATIONS

- Signage
- Strip lights



CHINA Operations

tel: +86-756-6266298
No. 8 Pingdong Road 2
Zhuhai, Guangdong, China 519060

www.erp-power.com

SaveEnergy@erp-power.com

USA Headquarters

tel: +1-805-517-1300
893 Patriot Drive, Suite E
Moorpark, CA 93021, USA