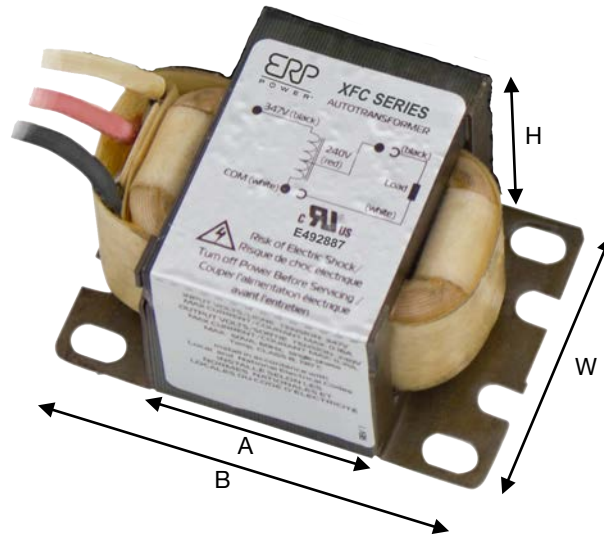
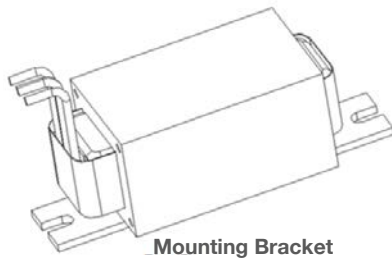
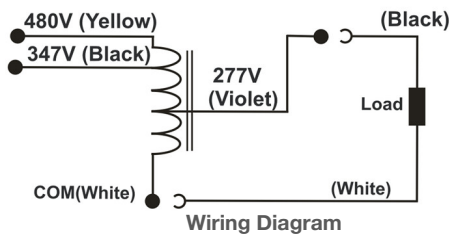


Step-Down Transformers 347/480 Vac Input, 277 Vac Output

| ERP Part Number | Max Load (VA) | Max Input Current (A) @ 480 Vac @ 377 Vac | Max Output Current (A) | Basic Dimensions | | | | Max Net Weight (lbs) | UL Temperature Rating (°C) |
|--------------------|---------------|---|------------------------|-----------------------|-------------|-----------------------|-----------------------|----------------------|----------------------------|
| | | | | inches | | | | | |
| | | | | mm | | | | | |
| A | B | W | H | | | | | | |
| XFC160-347/480-277 | 160 | 0.36 0.5 | 0.58 | 3.07 ± 0.04 78 ± 1 | 4.06 103 | 1.93 ± 0.04 49 ± 1 | 1.61 ± 0.04 41 ± 1 | 2.44 | 180 |
| XFC215-347/480-277 | 215 | 0.46 0.64 | 0.77 | 3.07 ± 0.04 78 ± 1 | 4.06 103 | 1.93 ± 0.04 49 ± 1 | 1.61 ± 0.04 41 ± 1 | 2.54 | 180 |
| XFC300-347/480-277 | 300 | 0.69 0.91 | 1.08 | 2.17 ± 0.04 55 ± 1 | 3.39 86 | 2.64 ± 0.04 49 ± 1 | 2.20 ± 0.04 56 ± 1 | 3.46 | 180 |
| XFC450-347/480-277 | 450 | 1 1.38 | 1.62 | 2.95 ± 0.04 75 ± 1 | 4.25 108 | 2.64 ± 0.04 49 ± 1 | 2.20 ± 0.04 56 ± 1 | 4.69 | 180 |
| XFC675-347/480-277 | 675 | 1.48 2.04 | 2.43 | 3.54 ± 0.04 90 ± 1 | 4.92 125 | 2.64 ± 0.04 49 ± 1 | 2.20 ± 0.04 56 ± 1 | 5.39 | 180 |



OVERVIEW

- Optimized for use with 277 Vac universal input drivers
- Suitable for indoor applications
- If used in outdoor applications, the transformer must be enclosed in a sealed fixture
- 180°C maximum case temperature
- 5 year limited warranty
- Lead type: (AVLV2, AVLV8), Type 3135, 18 AWG (or equivalent), rated 200°C, 600 V insulation rating, stripped by 10mm and tin plated.
- 347 V lead wire is pre-insulated.
- UL 5085-1, UL 5085-2
- UL CCN: XPTQ2, XPTQ8

APPLICATIONS

- Area & Roadway lighting
- Factory, Warehouse, and Distribution Center lighting
- Sports & Stage lighting
- Airports & Dockyard lighting

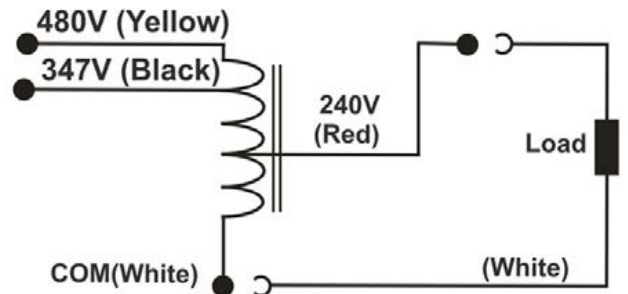
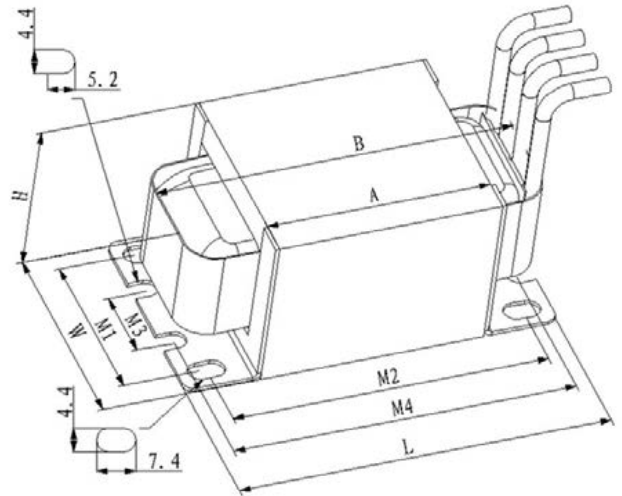
RoHS

cUL[®] US



160 VA Step-Down Transformer 347/480 Vac Input, 277 Vac Output

| | | | |
|-----------------------------------|-------------------------|---------------|-------------------|
| Input Voltage (Vac) | | 480 / 347 | |
| Frequency (Hz) | | 60 | |
| Max Input Current (A) | | 0.36 / 0.50 | |
| Max Output Current (A) | | 0.58 | |
| Max Load (VA) | | 160 | |
| Output Voltage (Vac) | | 277 | |
| Full Load | Efficiency (%) | 92 / 94 | |
| | THD (%) | 4.3 / 4.1 | |
| | Power Factor | 0.987 / 0.987 | |
| UL Class H 180°C Temperature Code | | A | |
| Dimension (inches/mm) | Basic Dimensions | A | 3.07±0.04 / 78±1 |
| | | B (Max) | 4.06 / 103 |
| | | W | 1.93±0.04 / 49±1 |
| | | H | 1.61±0.04 / 41±1 |
| | Installation Dimensions | M1 | 1.56 / 39.6 |
| | | M2 | 3.8±0.04 / 96.6±2 |
| | | M3 | 0.57 / 14.4 |
| | | M4 | 4.02±0.04 / 102±2 |
| | | L | 4.25±0.04 / 108±2 |
| Max Net Weight (lbs) | | 2.40 | |
| Max Net Weight + LW (lbs) | | 2.44 | |
| Lead Length (inches) | | 8±0.5 | |



APPLICATIONS

- Area & Roadway lighting
- Factory, Warehouse, and Distribution Center lighting
- Sports & Stage lighting
- Airports & Dockyard lighting

OVERVIEW

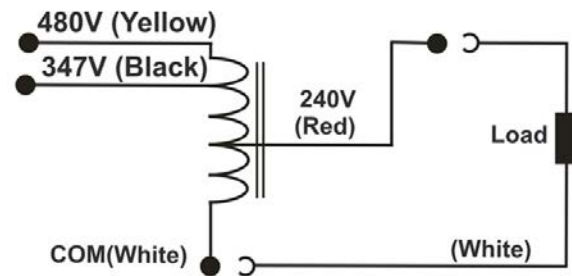
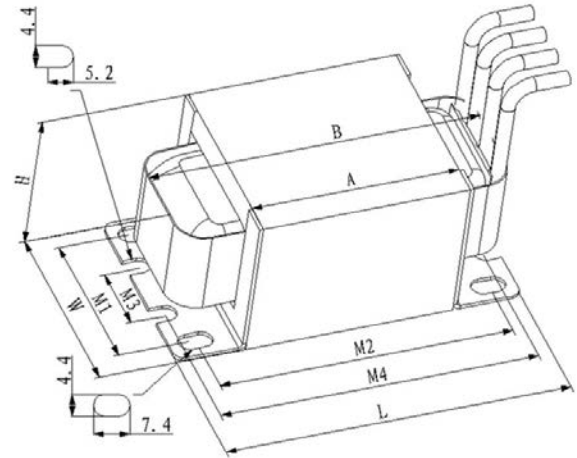
- Optimized for use with 277 Vac universal input LED drivers
- Suitable for indoor applications
- If used in outdoor, the transformer must be enclosed in a sealed fixture
- 180°C maximum case hot spot temperature
- 5 year limited warranty
- Lead type: (AVLV2, AVLV8), Type 3135, No. 18 AWG (or equivalent), rated 200°C, 600 V insulation rating, stripped by 10mm and tin plated. 347 V lead wire is pre-insulated.
- UL 5085-1, UL 5085-2
- UL CCN: XPTQ2, XPTQ8



RoHS c  US

215 VA Step-Down Transformer 347/480 Vac Input, 277 Vac Output

| | | | |
|-----------------------------------|-------------------------|----------------------|--------------------|
| Input Voltage (Vac) | | 480 / 347 | |
| Max Input Circuit (A) | | 0.46 / 0.64 | |
| Max Output Circuit (A) | | 0.77 | |
| Max Load (VA) | | 215 | |
| Output Voltage (Vac) | | 277 | |
| Full Load | Efficiency (%) | 93 / 94 | |
| | THD (%) | 5.6 / 5.8 | |
| | Power Factor | 0.992 / 0.992 | |
| UL Class H 180°C Temperature Code | | A | |
| Dimension (inches/mm) | Basic Dimensions | A | 3.07±0.04 / 78±1 |
| | | B (Max) | 4.06 / 103 |
| | | W | 1.93±0.04 / 49±1 |
| | | H | 1.61±0.04 / 41±1 |
| | Installation Dimensions | M1 | 1.56 / 39.6 |
| | | M2 | 3.80±0.04 / 96.6±2 |
| | | M3 | 0.57 / 14.4 |
| | | M4 | 4.02±0.04 / 102±2 |
| | | L | 4.25±0.04 / 108±2 |
| | | Max Net Weight (lbs) | |
| Max Net Weight + LW (lbs) | | 2.54 | |
| Lead Length (inches) | | 8±0.5 | |



APPLICATIONS

- Area & Roadway lighting
- Factory, Warehouse, and Distribution Center lighting
- Sports & Stage lighting
- Airports & Dockyard lighting

OVERVIEW

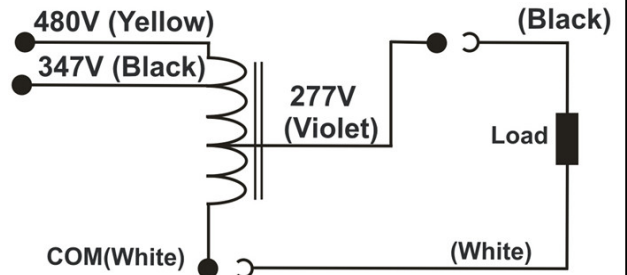
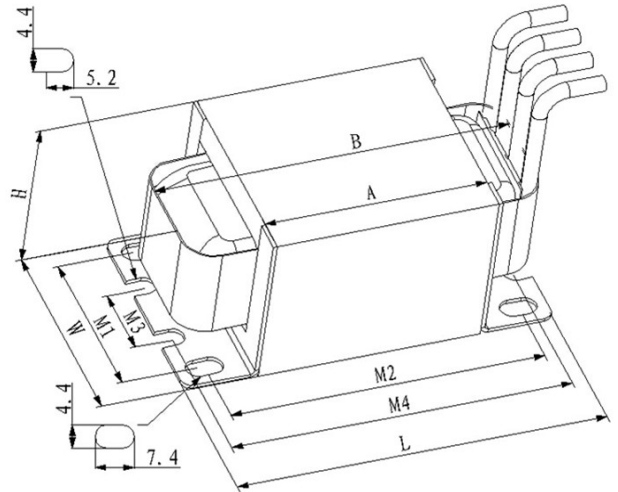
- Optimized for use with 277 Vac input LED drivers
- Suitable for indoor applications
- If used in outdoor, the transformer must be enclosed in a sealed fixture
- 180°C maximum case hot spot temperature
- 5 year limited warranty
- Lead type: (AVLV2, AVLV8), Type 3135, No. 18 AWG (or equivalent), rated 200°C, 600 V insulation rating, stripped by 10mm and tin plated. 347 V lead wire is pre-insulated.
- UL 5085-1, UL 5085-2 UL
- CCN: XPTQ2, XPTQ8



RoHS c  US

300 VA Step-Down Transformer 347/480 Vac Input, 277 Vac Output

| | | | |
|-----------------------------------|-------------------------|---------------|--------------------|
| Input Voltage (Vac) | | 480 / 347 | |
| Frequency (Hz) | | 60 | |
| Max Input Current (A) | | 0.69 / 0.91 | |
| Max Output Current (A) | | 1.08 | |
| Max Load (VA) | | 300 | |
| Output Voltage (Vac) | | 277 | |
| Full Load | Efficiency (%) | 94 / 95 | |
| | THD (%) | 3.1 / 3.1 | |
| | Power Factor | 0.995 / 0.995 | |
| UL Class H 180°C Temperature Code | | A | |
| Dimension (inches/mm) | Basic Dimensions | A | 2.17±0.04 / 55±1 |
| | | B (Max) | 3.39 / 86 |
| | | W | 2.64±0.04 / 49±1 |
| | | H | 2.20±0.04 / 56±1 |
| | Installation Dimensions | M1 | 2.27 / 57.6 |
| | | M2 | 2.90±0.04 / 73.6±2 |
| | | M3 | 0.96 / 24.4 |
| | | M4 | 3.11±0.04 / 79±2 |
| | | L | 3.35±0.04 / 85±2 |
| Max Net Weight (lbs) | | 3.37 | |
| Max Net Weight + LW (lbs) | | 3.46 | |
| Lead Length (inches) | | 8±0.5 | |



APPLICATIONS

- Area & Roadway lighting
- Factory, Warehouse, and Distribution Center lighting
- Sports & Stage lighting
- Airports & Dockyard lighting



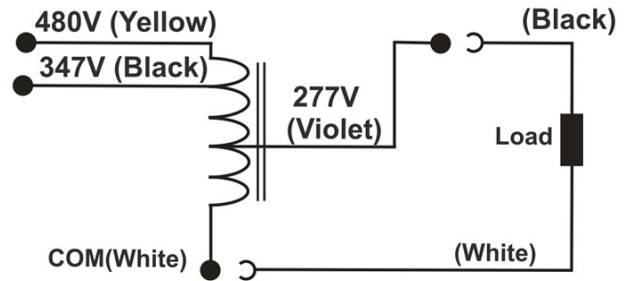
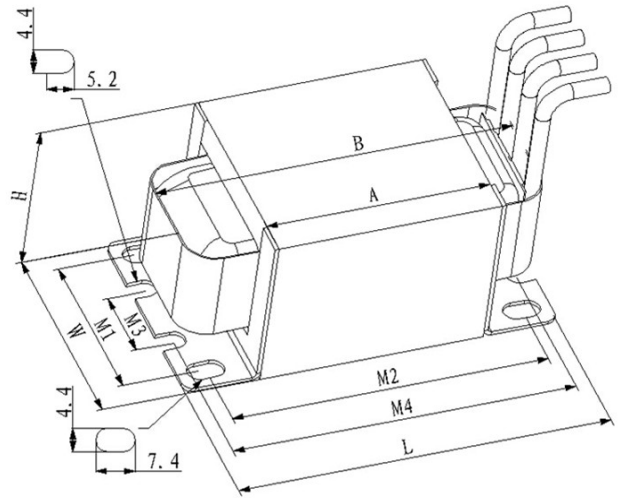
RoHS c US

OVERVIEW

- Optimized for use with 277 Vac universal input LED drivers
- Suitable for indoor applications
- If used in outdoor, the transformer must be enclosed in a sealed fixture
- 180°C maximum case hot spot temperature
- 5 year limited warranty
- Lead type: (AVLV2, AVLV8), Type 3135, No. 18 AWG (or equivalent), rated 200°C, 600 V insulation rating, stripped by 10mm and tin plated. 347 V lead wire is pre-insulated.
- UL 5085-1, UL 5085-2
- UL CCN: XPTQ2, XPTQ8

450 VA Step-Down Transformer 347/480 Vac Input, 277 Vac Output

| | | | |
|-----------------------------------|-------------------------|----------------------|--------------------|
| Input Voltage (Vac) | | 480 / 347 | |
| Frequency (Hz) | | 60 | |
| Max Input Current (A) | | 1.00 / 1.38 | |
| Max Output Current (A) | | 1.62 | |
| Max Load (VA) | | 450 | |
| Output Voltage (Vac) | | 277 | |
| Full Load | Efficiency (%) | 93 / 94 | |
| | THD (%) | 3.4 / 3.8 | |
| | Power Factor | 0.991 / 0.991 | |
| UL Class H 180°C Temperature Code | | A | |
| Dimension (inches/mm) | Basic Dimensions | A | 2.95±0.04 / 75±1 |
| | | B (Max) | 4.25 / 108 |
| | | W | 2.64±0.04 / 67±1 |
| | | H | 2.20±0.04 / 56±1 |
| | Installation Dimensions | M1 | 2.27 / 57.6 |
| | | M2 | 3.69±0.04 / 93.6±2 |
| | | M3 | 0.96 / 24.4 |
| | | M4 | 3.90±0.04 / 99±2 |
| | | L | 4.13±0.04 / 105±2 |
| | | Max Net Weight (lbs) | |
| Max Net Weight + LW (lbs) | | 4.69 | |
| Lead Length (inches) | | 8±0.5 | |



APPLICATIONS

- Area & Roadway lighting
- Factory, Warehouse, and Distribution Center lighting
- Sports & Stage lighting
- Airports & Dockyard lighting



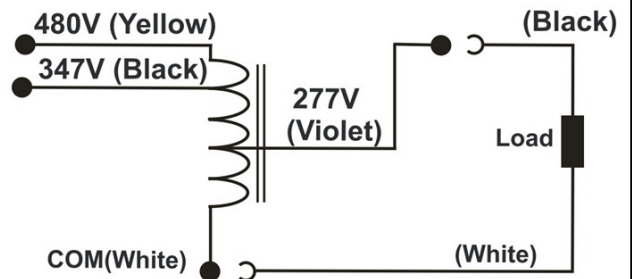
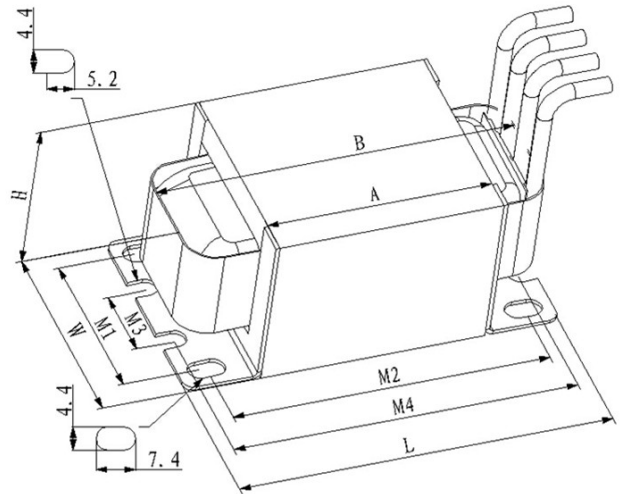
RoHS c US

OVERVIEW

- Optimized for use with 277 Vac universal input LED drivers
- Suitable for indoor applications
- If used in outdoor, the transformer must be enclosed in a sealed fixture
- 180°C maximum case hot spot temperature
- 5 year limited warranty
- Lead type: (AVLV2, AVLV8), Type 3135, No. 18 AWG (or equivalent), rated 200°C, 600 V insulation rating, stripped by 10mm and tin plated. 347 V lead wire is pre-insulated.
- UL 5085-1, UL 5085-2
- UL CCN: XPTQ2, XPTQ8

675 VA Step-Down Transformer 347/480 Vac Input, 277 Vac Output

| | | | |
|-----------------------------------|-------------------------|----------------------|---------------------|
| Input Voltage (Vac) | | 480 / 347 | |
| Frequency (Hz) | | 60 | |
| Max Input Current (A) | | 1.48 / 2.04 | |
| Max Output Current (A) | | 2.43 | |
| Max Load (VA) | | 675 | |
| Output Voltage (Vac) | | 277 | |
| Full Load | Efficiency (%) | 94 / 96 | |
| | THD (%) | 2.4 / 2.2 | |
| | Power Factor | 0.997 / 0.997 | |
| UL Class H 180°C Temperature Code | | A | |
| Dimension (inches/mm) | Basic Dimensions | A | 3.54±0.04 / 90±1 |
| | | B (Max) | 4.92 / 125 |
| | | W | 2.64±0.04 / 49±1 |
| | | H | 2.20±0.04 / 56±1 |
| | Installation Dimensions | M1 | 2.27 / 57.6 |
| | | M2 | 4.28±0.04 / 108.6±2 |
| | | M3 | 0.96 / 24.4 |
| | | M4 | 4.49±0.04 / 114±2 |
| | | L | 4.72±0.04 / 120±2 |
| | | Max Net Weight (lbs) | |
| Max Net Weight + LW (lbs) | | 5.39 | |
| Lead Length (inches) | | 8±0.5 | |



APPLICATIONS

- Area & Roadway lighting
- Factory, Warehouse, and Distribution Center lighting
- Sports & Stage lighting
- Airports & Dockyard lighting



RoHS c US

OVERVIEW

- Optimized for use with 277 Vac universal input LED drivers
- Suitable for indoor applications
- If used in outdoor, the transformer must be enclosed in a sealed fixture
- 180°C maximum case hot spot temperature
- 5 year limited warranty
- Lead type: (AVLV2, AVLV8), Type 3135, No. 18 AWG (or equivalent), rated 200°C, 600 V insulation rating, stripped by 10mm and tin plated. 347 V lead wire is pre-insulated.
- UL 5085-1, UL 5085-2
- UL CCN: XPTQ2, XPTQ8



XFC Series

XFC160-347/480-277
XFC215-347/480-277
XFC300-347/480-277
XFC450-347/480-277
XFC675-347/480-277

Step-Down Transformers 347/480 Vac Input, 277 Vac Output

LABELING

An example of label is shown here below, for the XFC160-347/480-277.

INPUT VOLTS/LIGNE TENSION: 347V/480V
MAX CURRENT/COURANT MAX: 0.51A/0.37A
OUTPUT VOLTS/SORTIE TENSION: 277V
MAX CURRENT/COURANT MAX: 0.58A
MAX. 160VA, 60Hz, single-phase
Temp. CLASS H, 180°C

**Install in accordance with
Local and National Electrical Codes**
**INSTALLÉ SELON LES
NORMES NATIONALES ET
LOCALES DU CODE D'ÉLECTÉRICIT**
+1 805 517 1300
Moorpark, CA 93021
Manufactured in China
Fabriqué en Chine

Insulate unused leads/Isoler les fils inutilisés
Risk of Electric Shock/Risque de choc électrique
 Turn off Power Before Servicing /Couper l'alimentation électrique avant l'entretien

REV 1

USA Headquarters
Tel: +1-805-517-1300
Fax: +1-805-517-1411
893 Patriot Drive, Suite E,
Moorpark, CA 93021, USA

CHINA Operations
Tel: +86-756-6266298
Fax: +86-756-6266299
No. 8 Pingdong Road 2
Zhuhai, Guangdong, China 519060

ERP Power, LLC (ERP) reserves the right to make changes without further notice to any products herein. ERP makes no warranty, representation or guarantee regarding the suitability of its products for any particular purpose, nor does ERP assume any liability arising out of the application or use of any product or circuit, and specifically disclaims any and all liability, including without limitation special, consequential or incidental damages. "Typical" parameters which may be provided in ERP data sheets and/or specifications can and do vary in different applications and actual performance may vary over time. All operating parameters, including "Typicals" must be validated for each customer application by customer's technical experts. ERP does not convey any license under its patent rights nor the rights of others. ERP products are not designed, intended, or authorized for use as components in systems intended for surgical implant into the body, or other applications intended to support or sustain life, or for any other application in which the failure of the ERP product could create a situation where personal injury or death may occur. Should Buyer purchase or use ERP products for any such unintended or unauthorized application, Buyer shall indemnify and hold ERP and its officers, employees, subsidiaries, affiliates, and distributors harmless against all claims, costs, damages, and expenses, and reasonable attorney fees arising out of, directly or indirectly, any claim of personal injury or death associated with such unintended or unauthorized use, even if such claim alleges that ERP was negligent regarding the design or manufacture of the part. ERP is an Equal Opportunity/Affirmative Action Employer. This literature is subject to all applicable copyright laws and is not for resale in any manner.